



Video Conference Wired - VC1080M

User Manual



Tel: (RSA) 010 140 4900 / Email: sales@parrot.co.za
www.parrot.co.za

Product Overview

The conference phone is intended for high-quality Internet phone conference, whether through USB interface on a PC, or through the headphone jack to serve as a wireless speaker / microphone for a mobile phone (Limited to some models).

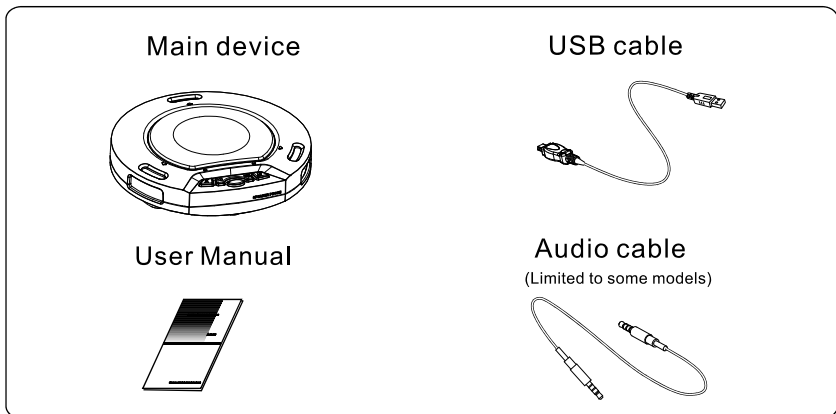
The pickup direction of microphone can be set in accordance with the conference scene (Limited to some models). Suitable for use in conference hall and small office.

A leading product equipped with full duplex audio technology, which can be used for a two-way, smooth and high-quality communication. The product can be used as an extended microphone and loudspeaker box of the PC and mobile phone, by which you can listen to music or make audio recording (Limited to some models).

Main features:

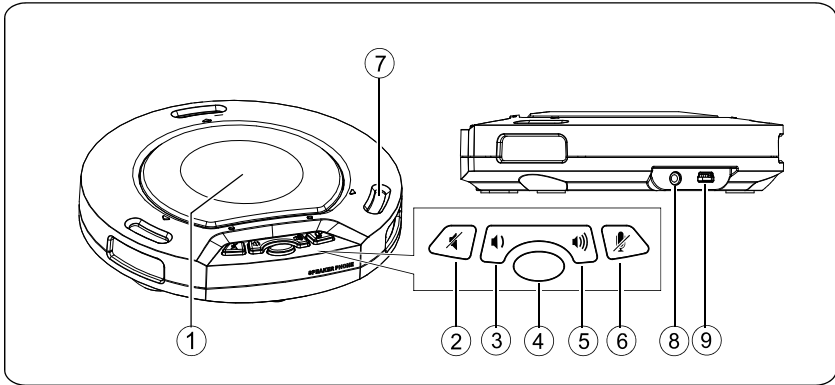
1. Light and portable.
2. Firm and compact structural design.
3. Full duplex new technology, high audio effect.
4. Supporting Internet call conference on the PC.
5. Supporting mobile phone conference (Limited to some models).
6. Supporting music playing and audio recording (Limited to some models).
7. Plug-and-play USB interface does not require driver.
8. Power supplied via USB cable.

Packing List:



Device Description



A. Description of Structure and Functions



1. Loudspeaker:

The loudspeaker produces sound in response to an electrical audio signal input.


2. Loudspeaker Mute button:


Press  to turn off the sound output of the loudspeaker. Press  again to turn on the sound output of the loudspeaker.

3. VOL - Button:

Press  to turn of the volume of the loudspeaker gradually.

4. button (Limited to some models) or button (Limited to some models):

Press the  button to select the pick-up direction of the microphone in order.

Press the  button, from speech mode into music mode, then once again back to speech mode. In the music mode, all microphones will be closed.

5. VOL + Button:

Press  in turn, it will gradually turn up the volume of the loudspeaker.

6. Microphone Mute Button:

Press  to turn off all microphones. To cancel the mute function, please press  again.

7. Microphone:

Record sound.

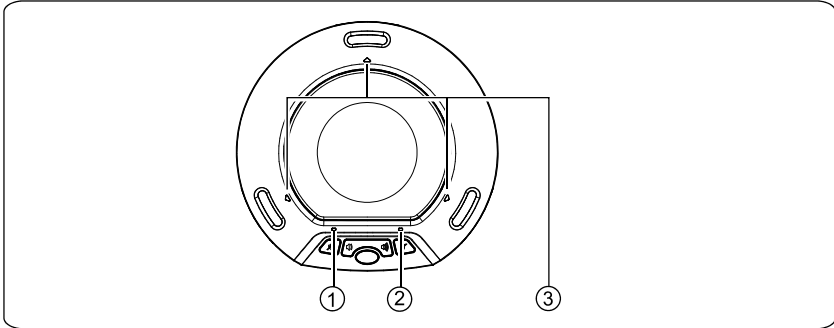
8. AUDIO port:

Used to connect with audio cable.

9. USB port:

Used to connect with USB cable.

B. Description of Indicator Status



- 1. Bottom left indicator:** When the loudspeaker gives out sound normally, the light is off; when the loudspeaker is muted, the light is on; when the loudspeaker is adjusted to the maximum/minimum volume, the light will blink.
- 2. Bottom right indicator:** When the microphone is recording sound normally, the light is off; when the microphone is muted, the light is on.
- 3. Triangular indicator:** Equipment working status indicator light.

Description of Function Application

A. Operations of Internet Call Conference on the PC

As an external microphone and loudspeaker product of the PC, the device can be used for Internet call conference on the PC.

1. Preparation before installation

This device is compatible with computers equipped with operating systems such as Microsoft Windows XP / Vista / 7 / 8, USB 1.1 or higher (USB 2.0 recommended) port and Internet connection are required; an IM application or VoIP package (e.g. QQ, Skype) with network call function should be installed.

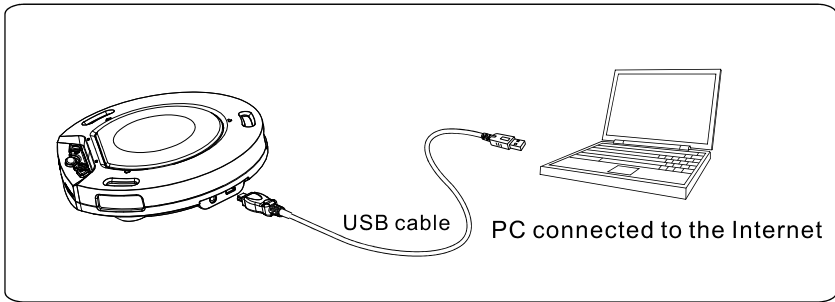
The USB cable of the device is plug-and-play without the need of driver installation.

2. Installation before Use

As shown in the picture (page 4), insert one end of the attached USB cable into the USB port of the product, with the other end inserted into the USB port of the PC.

At this moment, the USB driver will be automatically installed on the PC which feeds power to the product.



- Attention:**
- 1) You cannot connect other loudspeaker products together with the device to the PC.
 - 2) Please connect the device directly to the PC. Connecting via USB hub might result in operation problems.



3. Voice Call

Launch the software with the function of Internet call on the PC, enable the phone function according to the instruction of the software. After the Internet call goes through, you can have an Internet call with your counterpart.



4. Adjusting the sound volume of the loudspeaker

During the conference call, if the sound volume of the loudspeaker is too low or too high, you can press  or  of the main device repeatedly to adjust it to a suitable level. If the sound volume is still not suitable, you can adjust the sound volume of the loudspeaker on the PC.



5. Adjusting the sound volume of the microphone

During the conference call, to mute your sound heard by the counterpart is too low or too high, you can ask the counterpart to adjust the sound volume of the receiver. If it's still not suitable, you can adjust the sound volume of the microphone on the PC.

6. Mute the microphone

During the conference call, to mute your sound, please press  of the main devices. The mute indicator of the working microphone will be off. At this time, you can hear the sound of the counterpart, but the counterpart cannot hear your sound. To cancel the mute status, please press  of the main device again. At this moment, the mute indicator of the microphone will be off while the indicator of the working microphone will be on.

7. Mute the loudspeaker


During the conference call, press  to turn off the sound of the speaker, and the mute indicator of loudspeaker will turn on; to turn on the sound of the loudspeaker, please press  again and the mute indicator of loudspeaker will turn off.

8. End the conference call

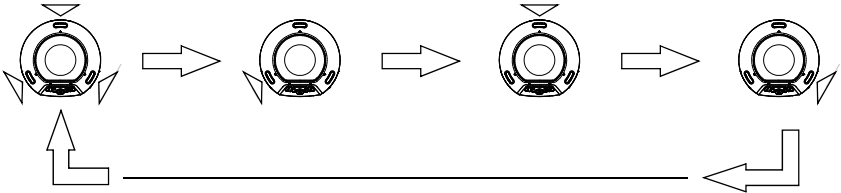
In accordance with the operation instructions of the Internet call software, end the call with the counterpart to end the Internet call conference.

9. Selection of the pick-up direction of the microphone (Limited to some models)

It's default to enable all microphones when the product is started up.

At this moment, press  in turn, it will select pick-up direction of the microphone in order.

Press the button once, twice, thrice, it will select each single microphone clockwise from left to right. Press the button again to return to the original status, as shown in the picture below.



The indicator for working microphone will turn on.

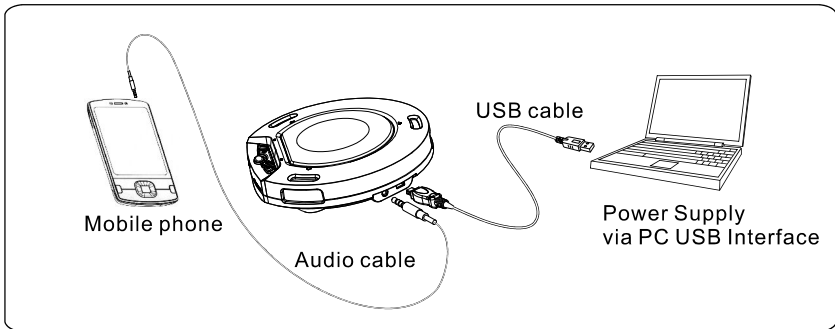
Attention: Please cancel the mute function before enabling the microphone.

Attention: During the use, if some mal-function occurs, please plug out and re-insert the USB cable so that the product can be powered off and re-satarted.

B. Function Operation of Mobile Phone Conference (Limited to some models)

When using as an external portable microphone and loudspeaker of the mobile phone, it can be used for mobile phone conferencing.

1. Installation before the Use



As shown in the picture, firstly insert one end of the attached USB cable into the USB port of the device, with the other end inserted in the USB port of the PC. At this moment, the Triangular indicators on the device will be on, which indicates that the device is started. In the second step, insert one end of the audio cable to the audio port of the device; at this time, the light indicator will change to another color. Finally, insert the other end into the headset outlet of the mobile phone. Now you can conduct the function operation of mobile phone conferencing.

2. Function Operation

After the mobile phone is connected, you can make a call following the operation method of the mobile phone. After getting through to the counterpart, you can have a conference call on your mobile phone. The operations of the functions such as adjustment of sound volume of the loudspeaker, adjustment of the sound volume of the microphone , the selection of pick-up direction of the microphone and the muting of microphone and loudspeaker are the same with those of Internet Call Conferencing.

C. Music Playing and Audio Recording (Limited to some models)

The product can be used as an external portable microphone and loudspeaker of the PC or mobile phone. Following the aforesaid connection method, you can play the music and record sound on the PC with the music player or recording app on the PC or mobile phone.

Attention: In the phone conference, please turn off the music playing and recording on the PC.

Attention:

1. To obtain the best performance, please read the instructions carefully and keep it for future reference.
2. Please install the product in a dry place with good ventilation, avoiding direct sunlight, vibration, wet and cold elements and keep away from heat sources and dust.
3. Please keep the product far from motors, transformers, and other electronic equipment to avoid disturbance.
4. Do not expose product to extreme temperature variations or humidity to prevent condensation occurring inside, this may cause electric shock, fire, damage to the equipment, or personal injury.
5. Never install the product in a place where external objects may drop and liquid may splash.
6. The following should never be put on the product:
 - 6.1) Sporadic components since they will cause damage and discoloration to the product surface.
 - 6.2) Burning objects (such as candles), since they may cause fire, damage to the product, and personal injury.
 - 6.3) Containers holding liquid, since liquid will cause electric shock to the user and damage to the product once containers overturn.
7. Never put the product in a place affected by water ponding.
8. For heat dissipation, never cover the product with the objects like paper, table cloth and curtain. The rise of the inner temperature of the product may cause fire, damage to the product and personal injury.
9. Never install the product near electrical appliances such as induction cooker and microwave oven to prevent operation failure caused by electromagnetic wave and magnetic field .

10. Keep your hand dry when connecting or disconnecting the USB cable to prevent electric shock.
11. Never use brute force when using USB cable, which may cause fire, electric shock, damage, short circuit and open circuit.
12. When unplugging the USB cable, please hold the plug part and never pull the cable.
13. Unplug all cable before cleaning the product - this may damage casing.
14. Never use chemical solvents to clean the product. Please use clean and dry cloth.
15. To prevent damage caused by thunder, please disconnect the USB cable in the lightning and thunderstorm weather.
16. Please use the USB cable supplied with the product. Other USB cables may cause electric shock or fire.
17. Please unplug USB cables from PC if you do not intend the long-term use of this product to prevent fire.
18. Never loosen screws of the product at will, which may cause poor sealing and influence the quality and effect.
19. Never try to repair the product by yourself.
Please contact Parrot Products for assistance.