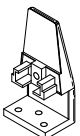
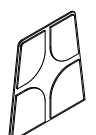

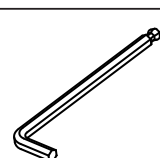
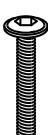
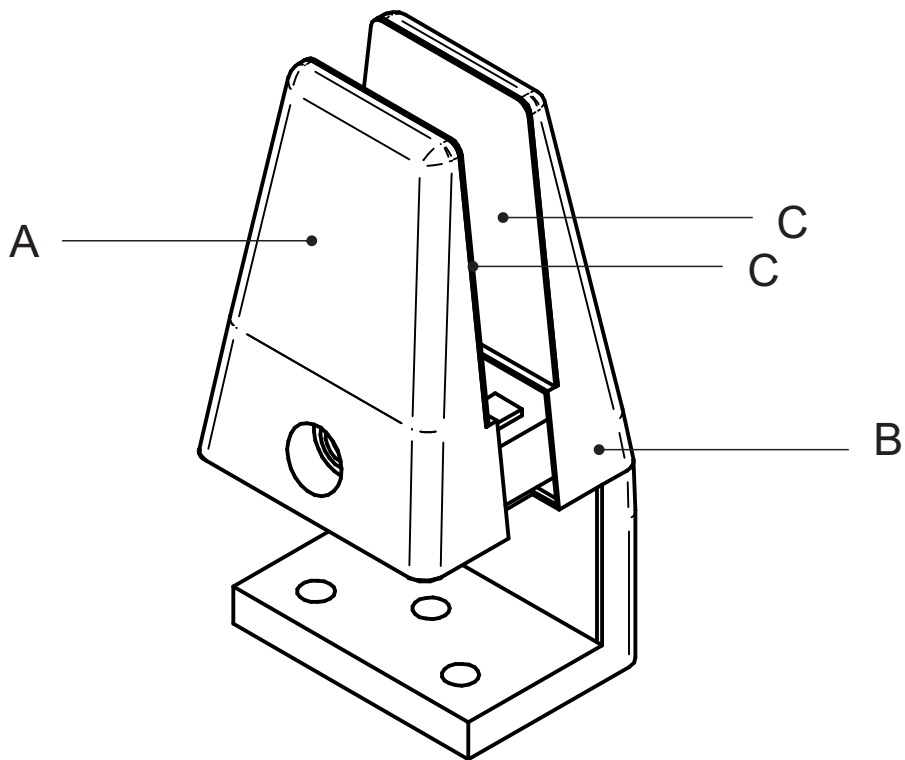
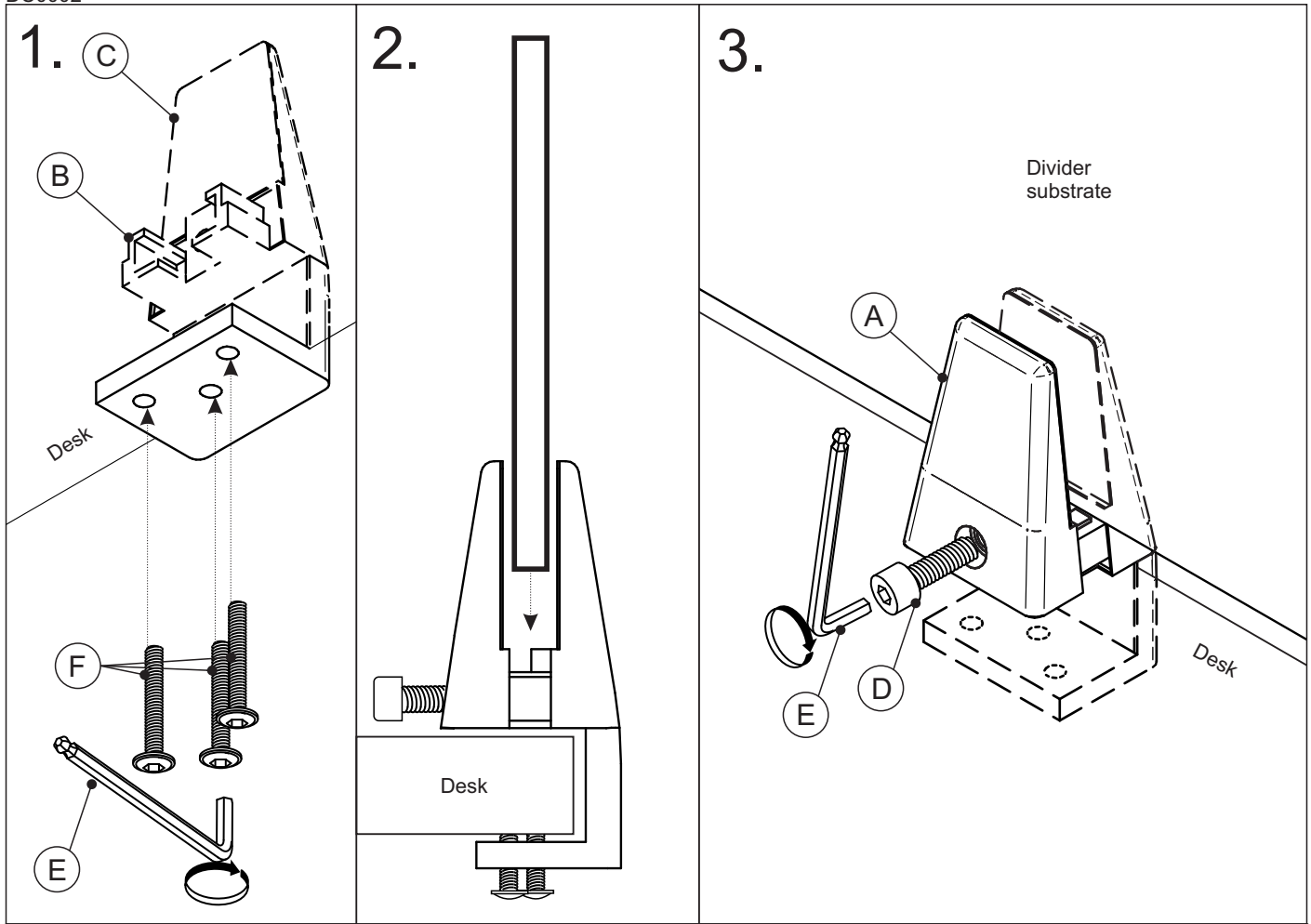
	x1 Desk clamp part A	A
	x1 Desk clamp part B	B
	x2 Plastic buffer	C
	x1 M5 Allen Key screw	D
	4mm Allen Key (M5) included.	E
	3x M5 Allen Key Screws (Not included)	F



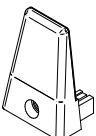
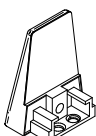
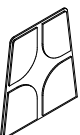
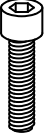
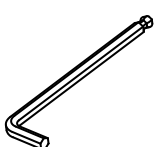



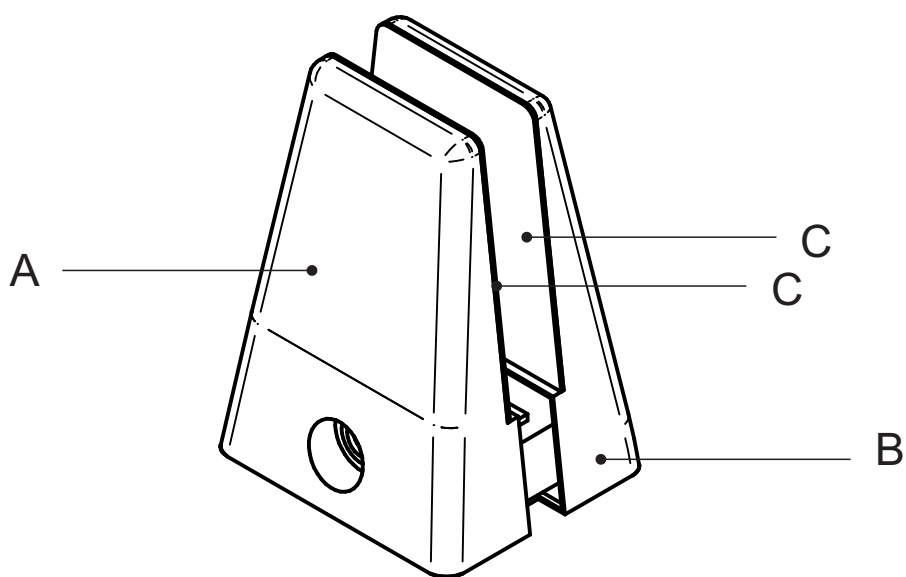
1. Using the relevant screws “F”, Fasten part “B” to the desk using tool “E”.

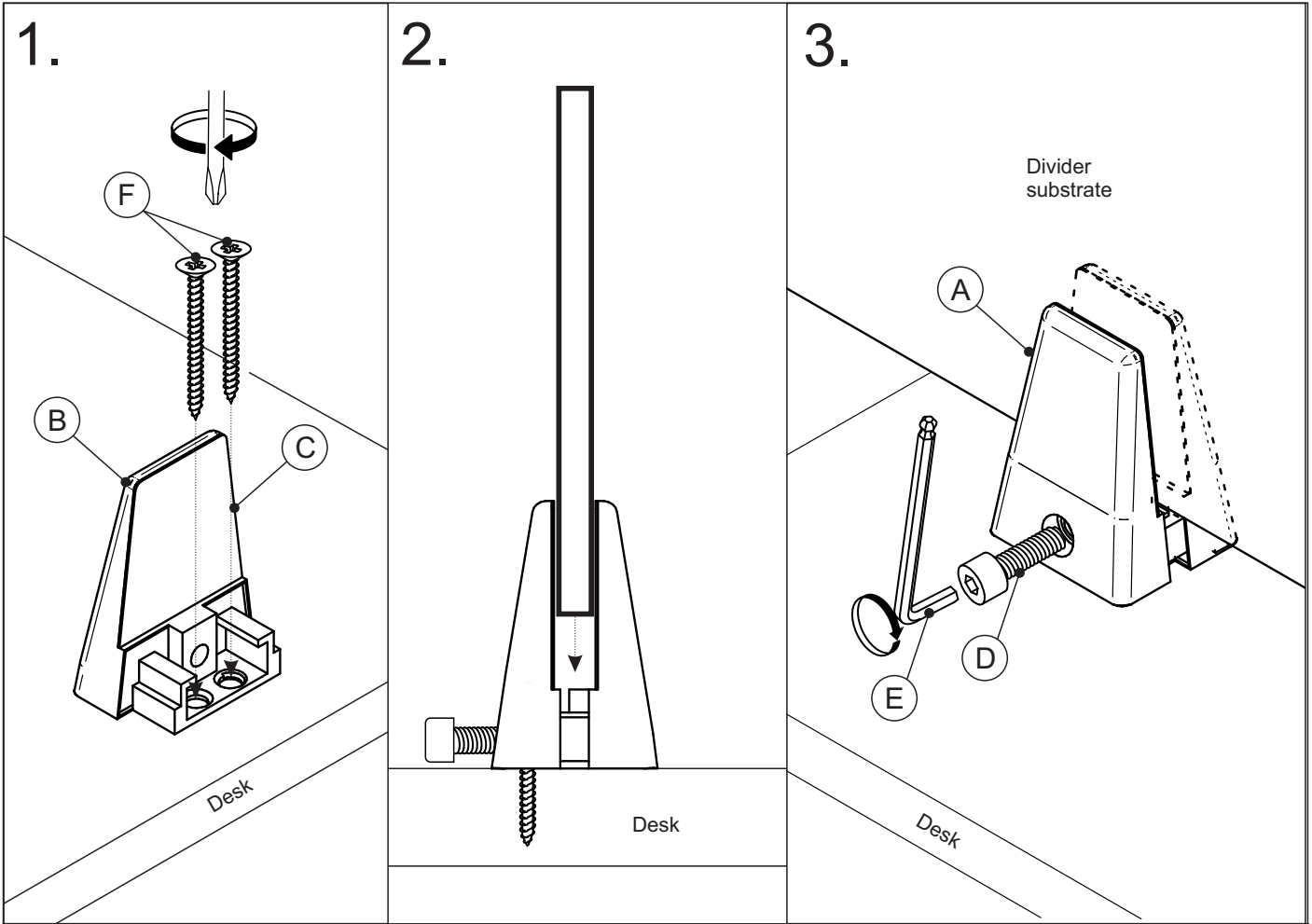
 Maximum Desk thickness is: 26mm

2. Insert divider substrate. Eg, Glass, Wood, Perspex, etc.

3. Fasten Part “A” using Part “D and E” to Part “B” until substrate is securely in position.

	x1 Desk clamp part A	A
	x1 Desk clamp part B	B
	x2 Plastic buffer	C
	x1 M5 Allen Key screw	D
	4mm Allen Key (M5) Included.	E
	2x Self-tap screws (Not included)	F



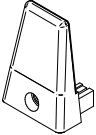
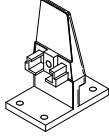
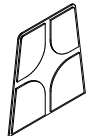
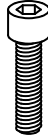
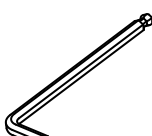



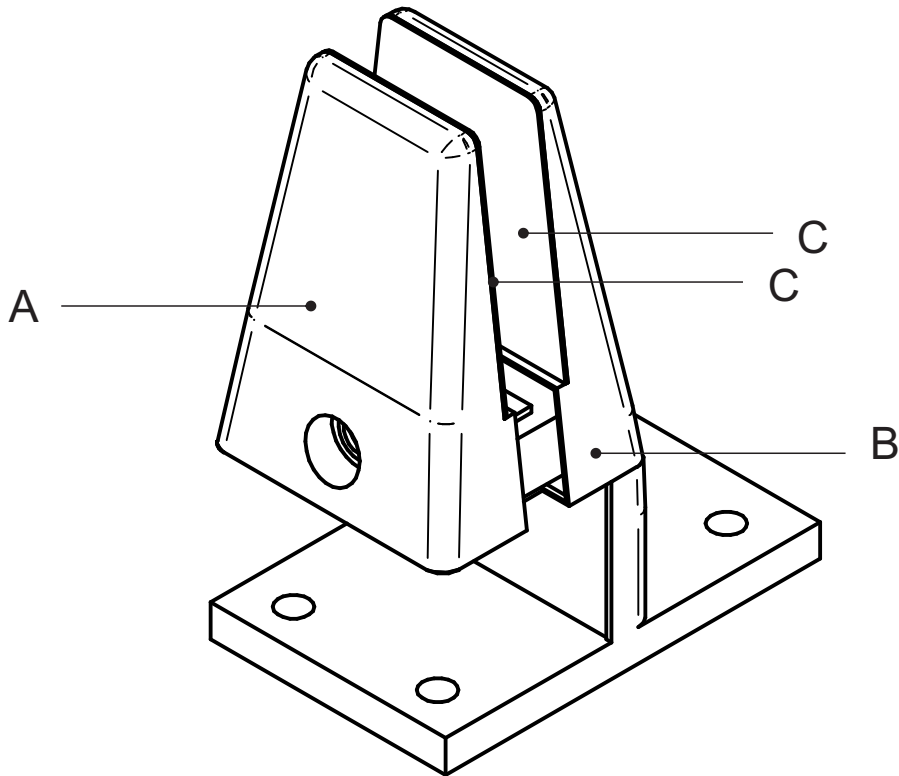
1. Using the relevant screws “F”, Fasten part “B” to the desk.

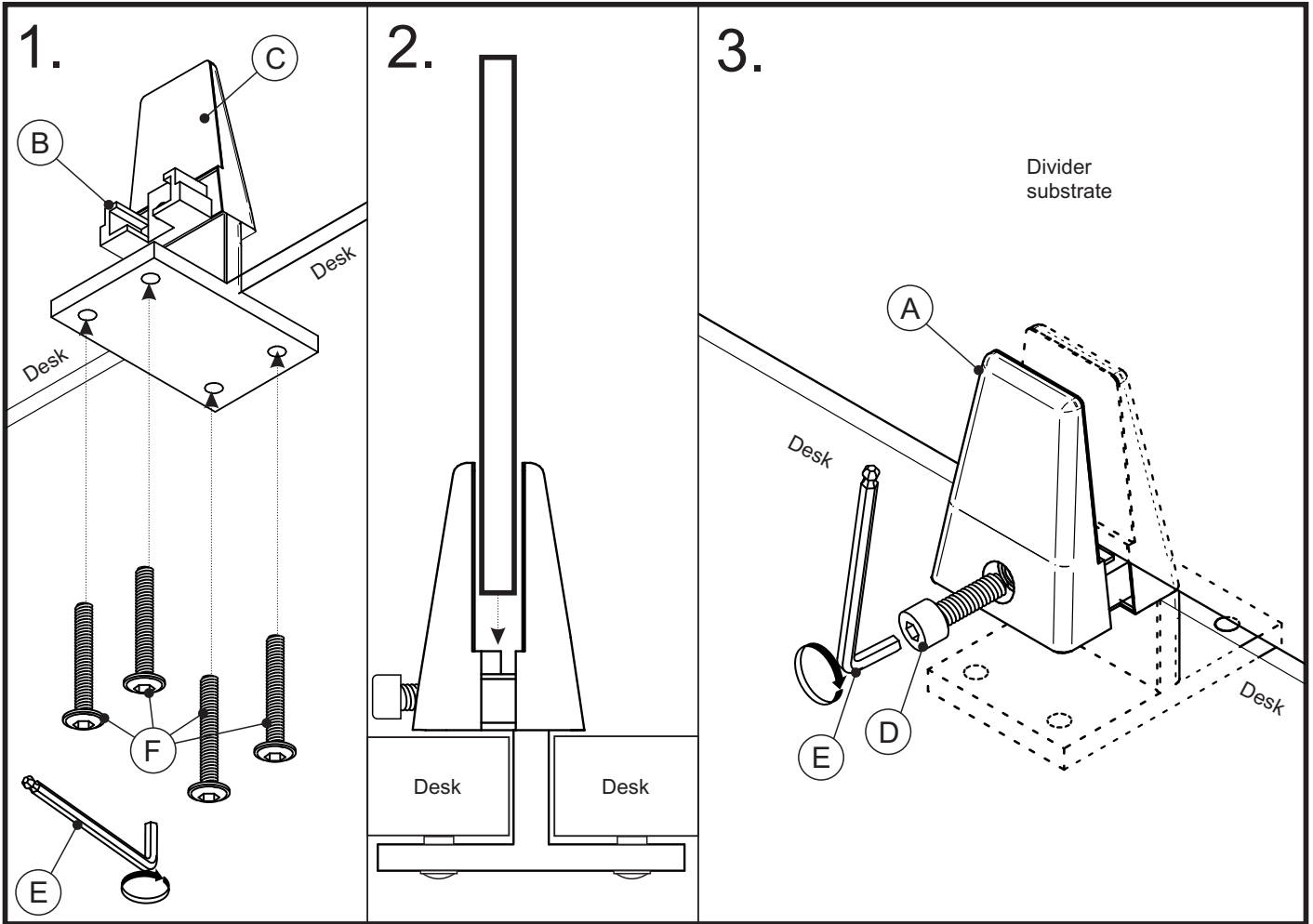
Maximum Desk thickness is: 26mm

2. Insert divider substrate. Eg, Glass, Wood, Perspex, etc.

3. Fasten Part “A” using Part “D and E” to Part “B” until substrate is securely in position.

	x1 Desk clamp part A	A
	x1 Desk clamp part B	B
	x2 Plastic buffer	C
	x1 M5 Allen Key screw	D
	4mm Allen Key (M5) Included.	E
	4x M5 Allen Key Screws (Not included)	F





1. Using the relevant screws "F", Fasten part "B" to the desk using tool "E".

Maximum Desk thickness is: 26mm

2. Insert divider substrate. Eg, Glass, Wood, Perspex, etc.

3. Fasten Part "A" using Part "D and E" to Part "B" until substrate is securely in position.
