

casals



Grass Trimmer



COMPLIES WITH
INTERNATIONAL
IEC60335
SAFETY SPECIFICATIONS


550W

2 YEAR
GUARANTEE

Model:
T550E

PLEASE READ ALL INSTRUCTIONS BEFORE USE

EXPLANATION FOR SYMBOLS



A Class II or double insulated electrical appliance is one which has been designed in such a way that it does not require a safety connection to electrical earth. The basic requirement is that no single failure can result in dangerous voltage becoming exposed so that it might cause an electric shock and that this is achieved without relying on an earthed metal casing. This is usually achieved at least in part by having two layers of insulating material surrounding live parts or by using reinforced insulation



Read instruction manual before operating or attempting any maintenance work.



Switch off and remove the plug from the mains before cleaning or maintenance.



DO NOT leave or use this appliance in the rain.



Wear hearing and eye protection.



Keep Bystanders away.



Do not use toothed blade

SAFETY INSTRUCTIONS

WARNING: When using power tools or garden power tools basic safety precautions including the following safety instructions should always be followed to reduce the risk of fire, electric shock and personal injury. Read all these instructions before operating this product and retain these instructions for future reference.

- Do not operate this product in an explosive atmosphere, such as in the presence of flammable liquids, gases or dust.
- Keep children and bystanders away while operating the power tools or garden power tools.

Distractions can cause you to lose control.

- Power tools or garden power tools plug must match the outlet. Never modify the plug in any way. Do not use any adapter plugs with earthed (grounded) power tools. Unmodified plugs and matching outlets will reduce risk of electric shock
- Avoid body contact with earthed or grounded surfaces such as tubes, radiators and refrigerators. There is an increased risk of electric shock if your body is earthed or grounded.
- Do not expose power tools garden power tools to rain or wet conditions. Water entering a power tool garden power tool will increase the risk of electric shock.
- Do not modify or change the cord. Never use the cord for carrying, pulling or unplugging the power tool. Keep the cord away from heat, oil and sharp edges or moving parts. Damaged or entangled cords increase the risk of electric shock.
- When operating this power tool outdoors, use an extension cord suitable for outdoor use. Use of a cord suitable for outdoor use reduces the risk of electric shock.
- Stay alert. Watch what you are doing and use common sense when operating the power tool or garden power tools.
- Do not operate the power tools or garden power tools when you are tired or under the influence of drugs, alcohol or medication.
- Use safety equipment. Always wear eye protection. Safety equipment such as dust mask, non-skid safety shoes, hardhat, or hearing protection used for appropriate conditions will reduce personal injuries.
- Remove any adjusting key or wrench before turning power tools or garden power tools on. A wrench or a key left attached to a rotating part of power tools or garden power tools may result in personal injury.
- Do not over reach. Keep proper footing and balance at all times. This enables better control of power tools or garden power tools in unexpected situations.
- Dress properly. Do not wear loose clothing or jewellery; Keep your hair, clothing and gloves away from moving parts. Loose clothes, jewellery or long hair can be caught in moving parts.
- Do not force the power tools or garden power tools. Use the correct the power tools or garden power tools for your application. The correct power tools will do the job better and safer at the rate for which it was designed.
- Do not use the power tools or garden power tools if the switch does not turn it on and off. Any power tools or garden power tools that cannot be controlled with the switch is dangerous and must be repaired.
- Disconnect the plug from the power source before making any adjustments, changing accessories, or storing the power tools or garden power tools. Such preventive safety measures reduce the risk of starting the power tools or garden power tools accidentally.
- Store out of the reach of children and do not allow

persons unfamiliar with the power tools or garden power tools or these instructions to operate the power tools or garden power tools. Power tools or garden power tools are dangerous in the hands of untrained users.

- Use the power tools or garden power tools, in accordance with these instructions and in the manner intended for particular type of power tools or garden power tools, taking into account the working conditions and the work to be performed.
- Use of the power tools or garden power tools for operations different from intended could result in a hazardous situation.
- Have your power tools or garden power tools serviced by a qualified repair person using only identical replacement parts. This will ensure that the safety of the power tools or garden power tools is maintained.

TRIMMER SAFETY RULES

- Replace the trimmer head if it is cracked, chipped or damaged in any way. Be sure that the trimmer head is properly installed and securely fastened before turning on.
- Make sure all guards, deflectors and handles are properly and securely attached.
- Use only the manufacturer's replacement line in the trimmer head.
- Never operate the product without the safety guard in place.
- Use the product for cutting grass and light weeds only. Do not use it for any other purpose.
- Before starting the product, position it so that the line doesn't come in contact with anything you do not intend to cut.
- Maintain a firm grip on both handles while trimming. Keep the trimmer head below waist level.
- Never cut with the trimmer head over 76 cm or more above the ground.
- Keep the working area free from wires, stones and debris.
- Do not cut against hard objects. This could cause damage the trimmer.
- Do not use the trimmer to cut grass which is not in contact with the ground; For example, do not cut grass which is on walls or rocks.
- Always use your trimmer in an upright position.
- Keep hands away from the cutting line. Do not attempt to remove cut material or to hold material to be cut when the line is moving.
- Be sure to unplug the product before clearing jammed material from the line. Do not grasp the line when picking up or holding the trimmer.
- Be cautious after turning off the product.

- Do not switch the trimmer on in enclosed or poorly ventilated spaces or in the presence of flammable and explosive substances such as liquids, gas and powders.
- Do not cross roads or gravel paths with the trimmer still running.
- Never fit metal cutting elements to the trimmer.

ELECTRICAL SAFETY RULES

- Make sure the cord is located so that it will not be stepped on. Tripped over or otherwise subjected to damage or stress.
- Do not abuse the power cord. Never carry the product by the power cord. Never pull the plug out of the power point by the power cord. Keep the power cord away from heat, oil and sharp edges.
- Use only an approved extension cable. The plug connectors must have earth contacts.
- Inspect extension cords for deterioration, cuts or cracks in the insulation. Repair or replace the cords if damaged in any way.
- The rating label on the product indicates the products's voltage. Never connect the product to a voltage that differs from this voltage.
- If the power cord or extension cable becomes damaged during use, disconnect the cord from the power supply immediately. **DO NOT TOUCH THE CORD BEFORE IT IS DISCONNECTING.**

MAINTENANCE RULES

- Maintain the product with care. Follow the instructions for changing accessories. Keep the product dry, clean and free from oil and grease.
- Unplug the product before making adjustments.
- Do not use the product if any part has been damaged.
- Check the product regularly to make sure that it will operate properly and perform the intended function. Check the alignment of moving parts, binding of moving parts, breakage of parts and any other condition that may affect the trimmers normal operation. Inspect the power cord. Any part that is damaged should be replaced by an authorised service centre.
- Keep the product clean of grass clippings and other materials that may become lodged in the cutting lines and air vents.
- Never douse or squirt the product with water or any other liquid.
- After each use, clean with a soft, dry cloth.

WARNING

- Before carrying out any cleaning task, disconnect the plug from the wall socket.

- If the cut-off blade become worn or break, have this replaced by an authorized service centre.

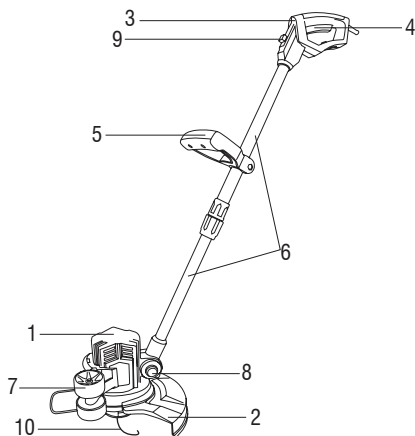
SERVICE RULES

- Service on this product must be performed by an approved service centre only. Service or maintenance performed by unqualified personnel could result in injury to the user and/or damage to the product. Such service will void your warranty.

STORAGE AND TRANSPORTATION RULES

- Stop the motor when you are waiting to cut or when you are walking from one cutting location to another
- Store the product inside in a dry place.
- Store the product up high or lock it up to prevent unauthorized use. Keep the product out of the reach of children.
- Secure the product when transporting it.
- Save these instructions. Refer to them frequently and use them to instruct others who may use this product. If you loan someone this product, loan these instructions also.

OPERATING CONTROLS



1. Motor Housing
2. Cutting Guard
3. Main Handle
4. Power Switch
5. Adjustable Auxiliary Handle
6. Height Adjusted Telescopic Adjustable tube
7. Guide Wheels
8. Cutting angle Adjustment knob
9. Locking Button for Handle Rotation
10. Cutting head

ASSEMBLING INSTRUCTION

ATTENTION

Before assembling please ensure that the Grass Trimmer is unplugged from the power mains

ASSEMBLING

The trimmer has to be assembled to be used. When you remove it from the packaging, identify the following components:

- Nylon Head and Handle
- Protection guard
- Auxiliary adjustable handle
- Guide Wheel
- Fixing screws
- Wire Guide

SAFETY CABLE FASTENING

Look at the rectangular slot, placed in the lower part of the main handle and the position of the hook. Prepare a ring with the extension cord and place it in the rectangular slot. Turn the ring of 180° and fix it on the hook. Stretch to close the cable.

ADJUSTABLE AUXILIARY HANDLE

For assembling the adjustable auxiliary handle, unscrew the turning knob completely, then slip the handle over the upper part of the telescopic tube and tighten the knob/screw. Before completely tightening the knob/screw you can set the adjustable auxiliary handle to your desired height.

PROTECTION GUARD

Screw the Protection Guard to bottom of the motor housing with the screw provided.

GUIDE WHEEL

Slide the Guide Wheel on the front of the Motor Housing. (The Guide Wheels is designed to only fit one way)

WIRE GUIDE

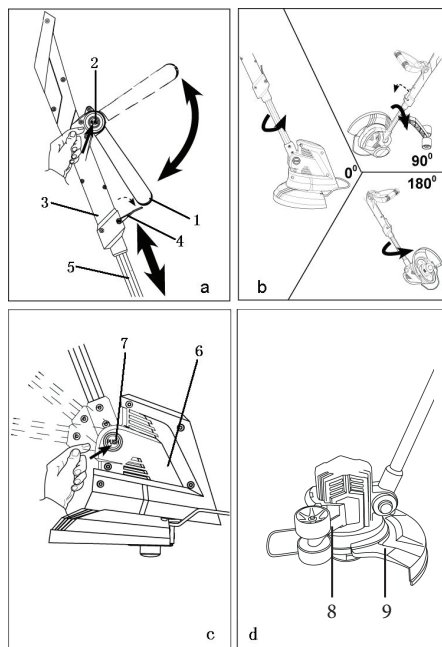
Screw the Wire Guide onto the bottom of the Motor Housing with the screws provided.

OPERATING

SUBSTITUTION OF THE LINE SPOOL

Depending on the use of the trimmer, the nylon line wears out and loses efficiency. The automatic line regulation system releases a higher length of line. The blade assembled on the protection guard cuts the line at the proper length. When the line is finished, substitute the line spool. Disconnect the plug from the socket. Two plastic clips fit the line spool. To remove the spool, keep the plastic housing of the spool and press on the 2 clips. After this operation, remove the finished spool. To assemble the

new spool, repeat the procedure in the opposite direction.
WARNING! Be sure that the spool is fitted properly.
 Otherwise, the spool could be ejected during the working of the trimmer.



ADJUSTMENT

Using the adjustable auxiliary handle (fig a)

1. The adjustable auxiliary handle is height adjustable.
2. Unscrew (2) to change the handle position to your desire.

Extend the shaft length by adjusting the lock collar (fig a)

1. Unscrew the lock collar (4) to loosen position shown in (fig a).
2. pull and extend the shaft (5) to increase the length within 0-300mm.
3. then lock the collar (4) firmly

180 Degree main handle (fig b)

1. Press the locking button to rotate the main handle
2. This has 3 locking positions (0 – 180 degrees)

Note:

1. Position 0° is for normal trimming
2. Position 90° is for edging function with support wheel
3. Position 180° is for edging function

Warning!

When the up handle locking on 90° position, please sure that you stand on the back side of safety guard.

Motor Housing adjustment (fig c)

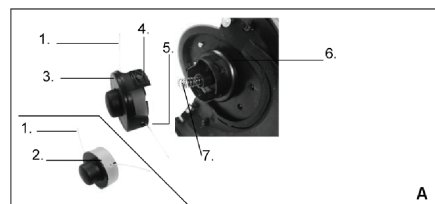
1. This has 3 locking positions
2. Push adjustment knob to set the angle of your trim
3. Position 1 - 0°
4. Position 2 - 33.5°
5. Position 3 - 67°

Fitting the Guide wheels (fig d)

1. The Guide Wheels bracket slides onto the front of the Motor Housing
2. Line up the slots and simply slide into place till you hear the “click”

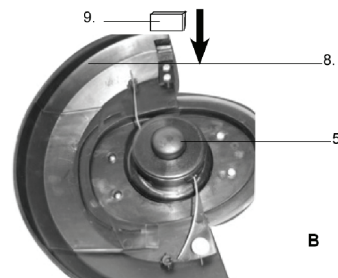
Replacing the spool kits (Pic. A)

1. Unplug the grass trimmer from the mains socket.
2. Press both locking devices (4) at the spool cover (3) to unclip the spool from motor shaft.
3. Remove the thread spool (2) from the spool cover
4. Remove dirt and grass residues.
5. Thread the both cutting line ends (1) of the new line spool through the holes (5) of the spool cover provided for this (each one end through one hole).
6. Firmly place the thread spool in the spool cover. Make sure that the cutting threads are not caught and pull them approx .9 cm out of the spool.
7. Place the spool cover with spool kits on the spring (7) and press it firmly down until the locking devices (4) of the spool cover (3) securely click into place.



Check length of Nylon cutting line (Pic. B)

If the line is too short, push down the trimmer head (5) and pull the line extend the blade position, the blade will cut the Nylon line to the designed length.



TRIMMER USE

Check the working area before starting the work. Remove all objects or materials that could be ejected, stopped or tangled in the nylon line. Keep a stable position and hold

the trimmer in front of you. Hold the main handle. Press the lateral button and then press the switch lever. Wait a few seconds until the nylon spool arrives at the maximum speed, before starting to trim. While trimming, move forward and never backward, because you could stumble in obstacles that you haven't seen. Do not move in the direction of people or solid object such as walls, trees, vehicles etc. If the RPM decreases, switch OFF immediately the unit and disconnect the plug, before to check the cause of the problem. Remove all materials that remain near to the protection or the cutting head and verify that the components aren't damaged before to restart the work. Substitute all the damage parts.

REGULATION OF THE TUBE LENGTH

You could regulate the length of the trimmer as you prefer. To do that, slide the button on tube in the direction of the handle to increase or reduce the length of trimmer telescopic tube. Release the button. Only in this moment you can start with the work.

CUTTING THE GRASS AT THE STANDARD HEIGHT

The line head hasn't to lean on the ground at the moment of starting. Leave that the trimmer arrives at its maximum

RPM and then, keeping the nylon head parallel to the ground, turn the trimmer from the left to the right, gradually decreasing the height. When you have reached the wanted height, continue to turn the trimmer from left to right, maintaining the level. Continue your job until you have reached the same result on all the working area.

CUTTING THE GRASS TO A LOWER HEIGHT

In order to obtain a lower height cut, tilt the line head towards left. Note: more you tilt toward left; more the grass height is low.

Environmentally friendly disposal



All electric tools must be separately collected and environmentally friendly recycled. Alternative disposal: If the owner of the power tool does not return the tool to the manufacturer, he is responsible for proper disposal at a designated collection point that prepares the device for recycling according to national recycling laws and regulations.

This does not include accessories and tools without electric or electronic components.



2 YEAR GUARANTEE

Casals guarantees that this product has been thoroughly inspected and tested before being dispatched and is free from mechanical and electrical defects and complies with the applicable safety standards. However, should defects due to faulty material or workmanship develop, under normal domestic use, within 6 months from the date of purchase please return the product to the store from where it was purchased for a full refund or replacement.

The following conditions apply:

1. Please ensure you retain your receipt as this must be presented when making a claim under the terms of the guarantee. It is impossible to determine the guarantee period without proof of purchase, so please keep this in a safe place.
2. If a refund or exchange is required the product must be complete with all accessories, parts and packaging.
3. Missing parts will render the guarantee void.
4. Upon receipt of your appliance check it for any transport damage to ensure it is safe for use. Return it to the store as soon as possible for exchange if damaged. The guarantee is void if products are damaged after use, so please do not use the damaged product.
5. Your product is designed for normal domestic household use. Failure to read and comply with the instructions for use, cleaning and maintenance will render your guarantee void, so please read these instructions carefully to ensure your safety, and get the most effective use from the product.
6. **Any abuse, negligent, improper use will render the guarantee void and Creative Housewares (Pty) Ltd will not be liable for any loss or damage.**
7. This Guarantee will not apply if this tool is damaged by accident or from normal wear and tear.
8. Any attempted repair, or replacement of unauthorised parts will render the guarantee void, so please contact an authorised service centre or agent for any service or repair requirements.
9. **Accessories such as bits, blades, sanding disc, cutting lines, etc are excluded from this guarantee.**
10. **Normal consumables parts, such as carbon brushes, bearings, chucks, cord assembly's, spark plugs, recoil pulleys and bump head assembly's are specifically excluded from this guarantee.**

Extended 24 Month Limited Guarantee

- Casals takes pride in their product quality and therefore offer an extended 24 month limited guarantee from the original date of purchase to offer the consumer peace of mind on their purchase.
- Should defects due to faulty material or workmanship develop, under normal domestic use, within 24 months from the original date of purchase, please return the product to the store from where it was purchased for repair free of charge.
- Casals will however replace a product, if the cost of the repair is not commercially viable or if their ability to conduct repair effectively cannot be guaranteed.
- **NB:** The guarantee on replaced products will be from the original date of purchase.
- All repairs carry a 3 month guarantee even if this falls outside of the 2 year guarantee period. Casals will attempt to conduct repairs within reasonable industry standards but cannot be held responsible or liable for any circumstances not under their control.

Before returning your product, check for the following:

1. Your household mains supply socket is working and switched on.
2. The mains supply circuit is not overloaded (White trip switch on your DB board is off).
3. You have read the trouble shooting guide in your Instructions for Use.
4. All accessories and parts are present.

If service or repair becomes necessary outside the guarantee period, this service is still available however all transport/postage, spares and labour costs will be paid by the consumer. All chargeable repairs will require the consumers' approval in writing once the quote is accepted. Once the go-ahead has been received Casals will undertake to conduct the repair within a reasonable time and maintain the condition of the product as received.

For any assistance, service, queries and complaints please contact our Customer Care on 086 111 5006 or e-mail help@creativehousewares.co.za.

Be on the look-out for these Casals products at your local outlet:



CD4800RE



CD1200RE



ID500RE



ID710RE



BS76-710



OS150



PL82-710



HAG2000



AG115-710



AG230-2000



JS55A



R1200E



CS184L

creative housewares

🏠 20 Tekstiel Street, Parow, Cape Town, 7493, South Africa

✉ P.O. Box 6156 Parow East, 7501, South Africa

☎ +27 21 931 8117

☎ +27 21 931 4058

Service Centre Helpline: 086 111 5006

🌐 www.creativehousewares.co.za