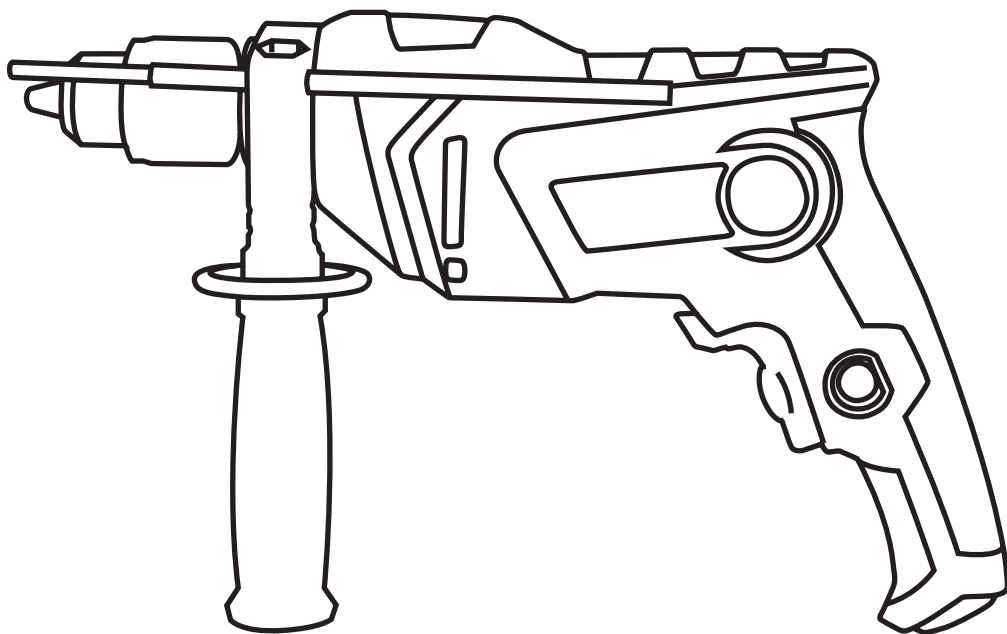
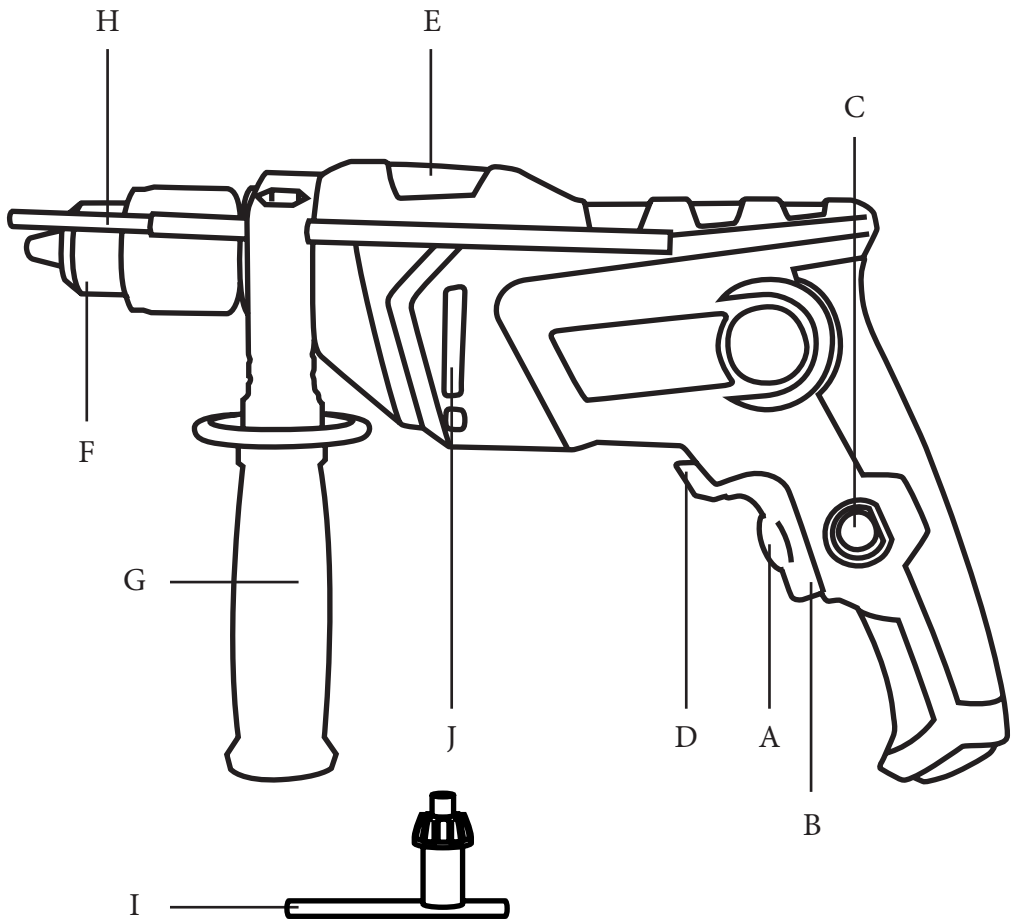




## ID810RE

IMPACT DRILL  
TALADRO DE IMPACTO  
FORET À IMPACT  
FURADEIRA DE IMPACTO





## IMPACT DRILL ID810RE

Dear Customer,  
Many thanks for trusting to Casals.  
Thanks to its continuous effort, our innovation and the strictest quality controls, Casals develops electric Power Tools for the toughest jobs.

### General Power Tools Safety Warning

**▲ WARNING** Read all safety warnings and all instructions, illustrations and specifications provided with this power tool. Failure to follow all instructions listed below may result in electric shock, fire and/or serious injury  
**Save all warnings and instructions for future reference**

The term "power tool" in the warnings refers to your mains-operated (corded) power tool or battery-operated (cordless) power tool

### Work area safety

- **Keep work area clean and well lit.** Cluttered or dark areas invite accidents
- **Do not operate power tools in explosive atmospheres, such as in the presence of flammable liquids, gases or dust.** Power tools create sparks which may ignite the dust or fumes
- **Keep children and bystanders away while operating a power tool.** Distractions can cause you to lose control

### Electrical safety

- **Power tool plugs must match the outlet. Never modify the plug in any way. Do not use any adapter plugs with earthed (grounded) power tools.** Unmodified plugs and matching outlets will reduce risk of electric shock
- **Avoid body contact with earthed or grounded surfaces, such as pipes, radiators, ranges and refrigerators.** There is an increased risk of electric shock if your body is earthed or grounded
- **Do not expose power tools to rain or wet conditions.** Water entering a power tool will increase the risk of electric shock
- **Do not abuse the cord. Never use the cord for carrying, pulling or unplugging the power tool. Keep cord away from heat, oil, sharp edges or moving parts.** Damaged or entangled cords increase the risk of electric shock
- **When operating the power tool outdoors, use**

**an extension cord suitable for outdoor use.** Use a cord suitable for outdoor use reduces the risk of electric shock

- **If operating a power tool in a damp location is unavoidable, use a residual current device (RCD) protected supply.** Use of an RCD reduces the risk of electric shock

### Personal safety

- **Stay alert, watch what you are doing and use common sense when operating a power tool. Do not use a power tool while you are tired or under the influence of drugs, alcohol or medication.** A moment of inattention while operating power tools may result in serious personal injury
- **Use personal protective equipment. Always wear eye protection.** Protective equipment such as dust mask, non-skid safety shoes, hard hat, or hearing protection used for appropriated conditions will reduce personal injuries
- **Prevent unintentional starting. Ensure the switch is in the off-position before connecting the power source and/or battery pack, picking up or carrying the tool.** Carrying power tools with your finger on the switch or energizing power tools that have the switch on invites accidents
- **Remove any adjusting key or wrench before turning the power tool on.** A wrench or a key left attached to a rotating part of the power tool may result in personal injury
- **Do not overreach. Keep proper footing and balance at all times.** This enables better control of the power tool in unexpected situations
- **Dress properly. Do not wear loose clothing or jewellery. Keep your hair and clothing away from moving parts.** Loose clothes, jewellery or long hair can be caught in moving parts
- **If devices are provided for the connection of dust extraction and collection facilities, ensure these are connected and properly used.** Use of dust collection can reduce dust-related hazards
- **Do not let familiarity gained from frequent use of tools allow you to become complacent and ignore tool safety principles.** A careless action can cause severe injury within a fraction of a second.

### Power tool use and care

- **Do not force the power tool. Use the correct power tool for your application.** The correct power tool will do the job better and safer at the rate for which it was designed



- **Do not use the power tool if the switch does not turn it on and off.** Any power tool that cannot be controlled with the switch is dangerous and must be repaired

- **Disconnect the plug from the power source and/or battery pack, if detachable, from the power tool before making any adjustments, changing accessories, or storing power tools.** Such preventive safety measures reduce the risk of starting the power tool accidentally

- **Store idle power tool out of the reach of children and do not allow persons unfamiliar with the power tool or these instructions to operate the power tool.** Power tools are dangerous in the hands of untrained users

- **Maintain power tools and accessories. Check for misalignment or binding of moving parts, breakage of parts and any other condition that may affect the power tool's operation. If damaged, have the power tool repaired before use.** Many accidents are caused by poorly maintained power tools

- **Keep cutting tools sharp and clean.** Properly maintained cutting tools with sharp cutting edges are less likely to bind and are easier to control

- **Use the power tool, accessories and tool bits etc in accordance with these instructions, taking into account the working conditions and the work to be performed.** Use of the power tool for operations different from those intended could result in a hazardous situation.

- **Keep handles and grasping surfaces dry, clean and free from oil and grease.** Slippery handles and grasping surfaces do not allow for safe handling and control of the tool in unexpected situations

### Service

- **Have your power tool serviced by a qualified repair person using only identical replacement parts.** This will ensure that the safety of the power tool is maintained

-Any misuse or failure to follow the instructions for use renders the guarantee and the manufacturer's liability null and void.

### Drill safety warnings

-**Wear ear protectors when impact drilling.** Exposure to noise can cause hearing loss.

-**Use auxiliary handle(s), if supplied with the tool.** Loss of control can cause personal injury.

- **Hold power tool by insulated gripping surfaces, when performing an operation where the cutting accessory may contact hidden wiring.** Cutting accessory contacting a "live" wire may make exposed metal parts of the power tool "live"

and could give the operator an electric shock.

### Screwdriver safety warnings

- **Hold power tool by insulated gripping surfaces, when performing an operation where the cutting accessory may contact hidden wiring or its own cord.** Cutting accessory contacting a "live" wire may make exposed metal parts of the power tool "live" and could give the operator an electric shock.

### Additional safety warnings

-If other gas or fuel appliances can be used at the same time in the room where the appliance is to be used, that room must be well ventilated.

-Do not place inflammable material near the appliance.

-CAUTION: In order to prevent overheating do not cover the appliance.

-Ensure that neither the air access nor exit become either totally or partially covered by drapery, clothing, etc., as this increases the risk of fire.

- Do not use the appliance if the cable or plug is damaged.

- Ensure that the voltage indicated on the rating label matches the mains voltage before plugging in the appliance.

- Connect the appliance to a socket that can supply a minimum of 10 amperes.

- Only use the appliance with the specific electric connector provided.

- If any of the appliance casings breaks, immediately disconnect the appliance from the mains to prevent the possibility of an electric shock.

- Do not use the appliance if it has fallen on the floor, if there are visible signs of damage or if it has a leak.

- CAUTION: Maintain the appliance dry.

- CAUTION: Do not use the appliance near water.

- Do not use the appliance with damp hands or feet, or when barefooted.

- Do not clip or crease the power cord.

- Do not allow the power cord to hang or to come into contact with the hot surfaces of the battery charger.

- Check the state of the power cord. Damaged or tangled cables increase the risk of electric shock.

- Do not touch the plug with wet hands.

- Use clamps or a vice to secure the object to be worked in place. The work will be safer if both hands are free to control the tool.

- Do not touch any of the appliance's moving parts while it is operating.

- Fully unroll the appliance's power cable before each use.

- Keep hands and other body parts well away from the work area whilst the tool is in use.





- Do not use the appliance if its accessories are not properly fitted.
- Do not use the appliance if the accessories or consumables attached to it are defective. Replace them immediately.
- Disconnect the appliance from the mains when not in use and before undertaking any cleaning task.
- This appliance is for household use only, not professional, industrial use.

**CAUTION:** Do not leave the appliance unattended during use as there is a risk of an accident.

- Do not touch the heated parts of the appliance, as it may cause serious burns.
- This appliance is only for domestic use, not for industrial or professional use. It is not intended to be used by guests in hospitality environments such as bed and breakfast, hotels, motels, and other types of residential environments, even in farm houses, areas of the kitchen staff in shops, offices and other work environments.
- This appliance is not intended for use by persons (including children) with reduced physical, sensory or mental capabilities, or lack of experience and knowledge, unless they have been given supervision or instruction concerning use of the appliance by a person responsible for their safety.
- This appliance is not a toy. Children should be supervised to ensure that they do not play with the appliance.
- This appliance is not a toy. Children should be supervised to ensure that they do not play with the appliance.
- Do not expose the appliance to extreme temperatures.
- Do not expose to extreme temperatures or strong magnetism.
- Keep the appliance in a dry, dust-free place, out of direct sunlight.
- Always check the workpiece before operation and remove any obstructions such as nails, staples, screws, string, rags, cloths and other debris.
- Only use the appliance for carrying out dry tasks.
- Do not use the appliance on any part of the body of a person or animal.
- Let the appliance running with no load for 30 seconds in a safe position. If you notice serious vibration or other defects stop the appliance immediately. Then check the problem and /or proceed as we describe on Anomalies and Repair clause.
- The appliance can be used on surfaces such as: wood, cardboard, plastic, plaster, etc.

## Product description and Specifications

### DESCRIPTION

- A. Variable speed button
- B. Start-up switch
- C. Locking button
- D. Rotation direction switch
- E. Drilling/Impact drilling selector
- F. Drill chuck
- G. Auxiliary handle
- H. Depth Stop
- I. Chuck Key
- J. Cooling vents

If the model of your appliance does not have the accessories described above, they can also be bought separately from the Technical Assistance Service.

### Instructions for use

#### Before use:

- Make sure that all the product's packaging has been removed.
- Ensure that the voltage indicated on the rating label matches the mains voltage before plugging in the appliance.
- Before using this product for the first time, it is important to make a full charge of batteries.
- Prepare the appliance according to the function you wish to use:

### AUXILIARI OPERATION

- When working always use the auxiliary handle (G)
- The drilling depth can be set according to your needs. Push the depth stopper until it marks the depth you need to drill. The best way is to make a drilling first and adjust the depth stopper.

### INSERTING A BIT

- To open the drill's chuck, use the chuck key (I) and rotate it counterclockwise.
- Insert the bit inside the chuck
- Use the chuck key to close the drill chuck and ensure the drill bit.

### Screwing, drilling/unscrewing:

- To drill or screw, ALWAYS have the direction set to clockwise (CW).
- To unscrew, set the direction to counter clockwise (CCW).
- The appliance should not be in use when changing the screwing direction.

### How to select the direction of the rotation (Fig A)

- Do not change the direction of the rotation whilst the tool motor is in operation.
- The appliance has a selector (D), which allows






the direction of rotation to be changed.

### Electronic speed control: (Fig A)


- The speed of the appliance can be regulated according to the pressure exerted on the on/off switch (A). This function is very useful, as it makes it possible to adapt the speed of the appliance to the type of work that needs to be done.
- If the appliance works continuously at low speed, working life of the appliance will be reduced considerably.

### Select the function (Fig A)

#### Drilling

- Turn the selector (E) until points to (  ).

#### Drilling with Impact Function

- Turn the selector (E) until points to (  ).

#### Use:

- Connect the appliance to the mains.
- Select the appliance function desired.
- Select the desired speed.
- Turn the appliance on, by using the on/off button (A)

#### Locking button:

- To activate this function press button (C) while holding down the start-up switch.
- To deactivate this function press the start-up switch right down.

#### Once you have finished using the appliance:

- Stop the appliance by releasing the on/off switch.
- Clean the appliance

#### Cleaning

- Disconnect the appliance from the mains and allow it to cool before undertaking any cleaning task.
- Clean the electrical equipment and the mains connection with a damp cloth and dry. **DO NOT IMMERSE IN WATER OR ANY OTHER LIQUID.**
- Clean the equipment with a damp cloth with a few drops of washing-up liquid and then dry.
- Do not use solvents, or products with an acid or base pH such as bleach, or abrasive products, for cleaning the appliance.
- Do not let water or any other liquid get into the air vents to avoid damage to the inner parts of the appliance.
- Never submerge the appliance in water or any other liquid or place it under running water.
- If the appliance is not in good condition of cleanliness, its surface may degrade and inexorably affect the duration of the appliance's useful life and could become unsafe to use.

### Supplies

- Always use original supplies, designed specifically for your appliance model.
- These supplies are available in specialist shops.

### Anomalies and repair

- Take the appliance to an authorised technical support service if product is damaged or other problems arise. Do not attempt to disassemble or repair the appliance yourself as this may be dangerous.
- If the connection to the mains has been damaged, it must be replaced, take the appliance to an authorised technical support service. Do not attempt to disassemble or repair the appliance by yourself in order to avoid a hazard.

### Specifications:

Model	ID810RE
Rated Power	810W
Rated Voltage	220-240 V~
Rated Frequency	50/60 Hz
No load speed	0-3000 rpm
Electronic speed control	✓
Maximum capacity	Steel:10mm
Wood:24mm	
Masonry:13	
Drill Chuck capacity	Ø 13mm
Reversible	✓
Weight	2,2 Kg

NB: These specifications are subject to change without notice of purpose of improvement.

- Measured sound level determined according EN60745
- The vibration emission level given in this information sheet has been measured according EN60745 and may be used to compare one tool with other. It may be used for a preliminary assessment of exposure
- The vibration value during actual use of the power tool can differ from the declared total value depending on the way in which tool is used
- It's necessary identify safety measures to protect the operator that are based on an estimation of exposure in the actual conditions of use (taking account of all parts of the operating cycle such as the times when the tool is switched off and when it





is running idle in addition to the trigger time).

**For EU product versions and/or in case that it is requested in your country:**

**Ecology and recyclability of the product**

- The materials of which the packaging of this appliance consists are included in a collection, classification and recycling system. Should you wish to dispose of them, use the appropriate public recycling bins for each type of material.
- The product does not contain concentrations of substances that could be considered harmful to the environment.
- This appliance contains, or could contain, oil. Remember that one should abide by the regulations concerning the elimination of this type of contaminant.



- This symbol means that in case you wish to dispose of the product once its working life has ended, take it to an authorised waste agent for the selective collection of Waste from Electric and Electronic Equipment (WEEE).



- This symbol means that user must to consult safety warnings and instructions thoroughly before use.



- This symbol means wear ear protection.



- This symbol means wear eye protection.



- This symbol means that tool is class II



- Declaration of conformity

We hereby declare, under our own responsibility, that the CASALS products described in this manual ID810RE comply with the following standards: EN 60745-1, EN 60745-2-1, EN 60745-2-2, EN 55014-1, EN 55014-2, EN 61000-3-2, EN 61000-3-3 and EN 62321 in accordance with EU directives 2006/42/EC, 2014/30/EC and 2011/65/EU

**Oliana, 24/03/2017**  
**Avda. Barcelona, s/n.**  
**25790 OLIANA. Lleida-ESPAÑA**



## Taladro percutor ID810RE

### Estimado cliente,

Muchas gracias por confiar en Casals. Gracias a su esfuerzo continuo, nuestra innovación y los controles de calidad más estrictos, Casals desarrolla herramientas eléctricas para los trabajos más difíciles.

### **Advertencia general de seguridad de herramientas eléctricas**

**ADVERTENCIA** Lea todas las advertencias de seguridad y todas las instrucciones, ilustraciones y especificaciones provistas con esta herramienta eléctrica. El incumplimiento de todas las instrucciones que se enumeran a continuación puede provocar descargas eléctricas, incendios y / o lesiones graves.

Guarda todas las advertencias e instrucciones para futuras referencias.

El término "herramienta eléctrica" en las advertencias se refiere a su herramienta eléctrica operada por la red (con cable ) o herramienta eléctrica a batería (inalámbrica)

### Seguridad en el área de trabajo

- Mantenga el área de trabajo limpia y bien iluminada. Áreas desordenadas u oscuras invitan a los accidentes.
- No opere herramientas eléctricas en atmósferas explosivas, como en la presencia de líquidos inflamables, gases o polvo. Las herramientas eléctricas generan chispas que pueden inflamar el polvo o los vapores.
- Mantenga alejados a los niños y transeúntes mientras opera una herramienta eléctrica. Las distracciones pueden hacer que pierdas el control.

### Seguridad ELECTRICA

- Los enchufes de la herramienta eléctrica deben coincidir con el tomacorriente. Nunca modifique el enchufe de ninguna manera. No utilice enchufes adaptadores con herramientas eléctricas conectadas a tierra. Los enchufes no modificados y los tomacorrientes correspondientes reducirán el

riesgo de descarga eléctrica

- Evite el contacto del cuerpo con superficies conectadas a tierra o con conexión a tierra, como tuberías, radiadores, cocinas y refrigeradores. Existe un mayor riesgo de descarga eléctrica si su cuerpo está conectado a tierra o a tierra

- No exponga las herramientas eléctricas a la lluvia ni a condiciones húmedas . El agua que ingresa a una herramienta eléctrica aumentará el riesgo de descarga eléctrica

- No maltrate el cable. Nunca utilice el cable para transportar, tirar o desenchufar la herramienta eléctrica. Mantenga el cable alejado del calor, aceite, bordes afilados o piezas móviles. Los cables dañados o enredados aumentan el riesgo de descarga eléctrica

Cuando opere la herramienta eléctrica al aire libre, use un cable de extensión adecuado para uso en exteriores. Utilizar un cable adecuado para uso en exteriores reduce el riesgo de descarga eléctrica.

- Si no es inevitable operar una herramienta eléctrica en un lugar húmedo, use un suministro protegido por dispositivo de corriente residual (RCD). El uso de un RCD reduce el riesgo de descarga eléctrica

### Seguridad personal

- Manténgase alerta, observe lo que está haciendo y use el sentido común cuando opere una herramienta eléctrica. No use una herramienta eléctrica mientras esté cansado o bajo la influencia de drogas, alcohol o medicamentos. Un momento de falta de atención mientras se operan herramientas eléctricas puede provocar lesiones personales graves
- Usar equipo de protección personal. Siempre use protección para los ojos. El equipo de protección, como la máscara antipolvo, los zapatos de seguridad antideslizantes, el casco o la protección auditiva utilizados para las condiciones adecuadas reducirá las lesiones personales.
- Evitar el arranque involuntario. Asegúrese de que el interruptor esté en la posición de apagado antes de conectar la fuente de alimentación y / o la batería, recoger o transportar la herramienta. Llevar herramientas eléctricas con el dedo en el





interruptor o energizar herramientas eléctricas que tienen el interruptor encendido invita a accidentes

- Retire cualquier llave de ajuste o llave antes de encender la herramienta eléctrica. Una llave o una llave a la izquierda unida a una parte giratoria de la herramienta eléctrica puede provocar lesiones personales
- No se extienda demasiado. Mantenga la postura y el equilibrio en todo momento. Esto permite un mejor control de la herramienta eléctrica en situaciones inesperadas.
- Vístete apropiadamente. No uses ropa suelta, o joyas. Mantenga su cabello y ropa lejos de las partes móviles. La ropa suelta, las joyas o el cabello largo pueden quedar atrapados en las piezas móviles .
- Si se proporcionan dispositivos para la conexión de instalaciones de extracción y recolección de polvo, asegúrese de que estén conectados y se usen correctamente. El uso de la recolección de polvo puede reducir los peligros relacionados con el polvo .
- No permita que la familiaridad adquirida con el uso frecuente de las herramientas le permita ser complaciente e ignorar los principios de seguridad de las herramientas. Una acción descuidada puede causar lesiones graves en una fracción de segundo.

### Uso y cuidado de herramientas eléctricas.

- No fuerce la herramienta eléctrica. Utilice la herramienta eléctrica correcta para su aplicación. La herramienta eléctrica correcta hará el trabajo mejor y más seguro a la velocidad para la que fue diseñada .
- No utilice la herramienta eléctrica si el interruptor no la enciende y apaga. Cualquier herramienta eléctrica que no pueda ser controlada con el interruptor es peligrosa. y debe ser reparado
- Desconecte el enchufe de la fuente de alimentación y / o el paquete de baterías, si es desmontable, de la herramienta eléctrica antes de realizar ajustes, cambiar accesorios o almacenar herramientas eléctricas. Tales medidas de seguridad preventivas reducen el riesgo de arrancar la herramienta eléctrica accidentalmente
- Guarde la herramienta eléctrica inactiva fuera del alcance de los niños y no permita que personas que no estén familiarizadas con la herramienta eléctrica o estas instrucciones utilicen la herramienta eléctrica. Las herramientas eléctricas son peligrosas en manos de usuarios inexpertos.

- Mantener herramientas eléctricas y accesorios. Compruebe si hay desalineación o unión de las piezas móviles, rotura de piezas y cualquier otra condición que pueda afectar al funcionamiento de la herramienta eléctrica. Si está dañado, haga que reparen la herramienta eléctrica antes de usarla. Muchos accidentes son causados por herramientas eléctricas mal mantenidas

- Mantenga las herramientas de corte afiladas y limpias. Las herramientas de corte mantenidas adecuadamente con bordes cortantes afilados tienen menos probabilidades de atascarse y son más fáciles de controlar

- Utilice la herramienta eléctrica, los accesorios, las brocas, etc. de acuerdo con estas instrucciones, teniendo en cuenta las condiciones de trabajo y el trabajo a realizar. El uso de la herramienta eléctrica para operaciones diferentes de las previstas podría dar lugar a una situación peligrosa.

- Mantenga los mangos y las superficies de agarre secos, limpios y sin aceite ni grasa. Los mangos resbaladizos y las superficies de agarre no permiten un manejo y control seguros de la herramienta en situaciones inesperadas

### Servicio

- Solicite a un técnico calificado que repare su herramienta eléctrica utilizando solo repuestos idénticos. Esto asegurará que la seguridad de la herramienta eléctrica se mantenga
- Cualquier uso incorrecto o el incumplimiento de las instrucciones de uso anulará la garantía y la responsabilidad del fabricante.

### Advertencias de seguridad del taladro

-Usar protectores auditivos al perforar por impacto.

### La exposición al ruido puede causar pérdida de audición.

- Utilice manijas auxiliares, si se suministran con la herramienta. La pérdida de control puede causar lesiones personales.
- Sujete la herramienta eléctrica por las caras de agarre aisladas cuando realice una operación en la que el accesorio de corte pueda entrar en contacto con cables ocultos.

El accesorio de corte en contacto con un cable





“vivo” puede hacer que las partes metálicas expuestas de la herramienta eléctrica estén “activas” y podría dar al operador una descarga eléctrica.

#### Advertencias de seguridad del destornillador

- Sujete la herramienta eléctrica por las caras de agarre aisladas cuando realice una operación en la que el accesorio de corte pueda entrar en contacto con cables ocultos o con su propio cable. El corte del accesorio que entra en contacto con un cable “vivo” puede hacer que las partes metálicas expuestas de la herramienta eléctrica estén “activas” y podría dar al operador una descarga eléctrica.

#### Advertencias de seguridad adicionales

- Si se pueden usar otros aparatos de gas o combustible al mismo tiempo en la habitación donde se va a usar el aparato, esa habitación debe estar bien ventilada.

- No coloque material inflamable cerca del aparato.

- **PRECAUCIÓN:** para evitar el sobrecalentamiento, no cubra el aparato.

- Asegúrese de que ni el acceso ni la salida del aire estén total o parcialmente cubiertos por cortinas, ropa, etc., ya que esto aumenta el riesgo de incendio.

- No utilice el aparato si el cable o el enchufe están dañados.

- Asegúrese de que el voltaje indicado en la etiqueta de clasificación coincida con el voltaje de la red eléctrica antes de enchufar el aparato.

- Conecte el aparato a una toma que pueda suministrar un mínimo de 10 amperios.

- Utilice el aparato únicamente con el conector eléctrico específico suministrado.

- Si se rompe alguna de las carcasas de la batería, desconecte inmediatamente el aparato de la red eléctrica para evitar la posibilidad de una descarga eléctrica.

- No utilice el aparato si se ha caído al suelo, si hay signos visibles de daños o si tiene una fuga.

- **PRECAUCIÓN:** Mantenga el aparato seco.

- **PRECAUCIÓN:** No utilice el aparato cerca del agua.

- No utilice el aparato con las manos o los pies

húmedos, o con los pies descalzos.

- No enganche ni arrugue el cable de alimentación.

- No permita que el cable de alimentación se cuelgue o entre en contacto con las superficies calientes del cargador de la batería.

- Compruebe el estado del cable de alimentación. Los cables dañados o enredados aumentan el riesgo de descarga eléctrica.

- No toque el enchufe con las manos mojadas.

- Use abrazaderas o un vicio para asegurar el objeto a trabajar en su lugar. El trabajo será más seguro si ambas manos son libres de controlar la herramienta.

- No toque ninguna de las partes móviles del aparato mientras esté funcionando.

- Desenrolle completamente el cable de alimentación del aparato antes de cada uso.

Mantenga las manos y otras partes del cuerpo alejadas del área de trabajo cuando la herramienta esté en uso.

No utilice el aparato si sus accesorios no están bien ajustados.

- No utilice el aparato si los accesorios o consumibles adjuntos están defectuosos. Reemplácelos inmediatamente.

- Desconecte el aparato de la red eléctrica cuando no esté en uso y antes de realizar cualquier tarea de limpieza.

- Este aparato es solo para uso doméstico, no profesional, uso industrial.

**PRECAUCIÓN:** No deje el aparato desatendido durante el uso, ya que existe el riesgo de un accidente.

- No toque las partes calientes del aparato, ya que puede causar quemaduras graves.

- Este aparato es solo para uso doméstico, no para uso industrial o profesional. No está diseñado para que lo utilicen los huéspedes en entornos hoteleros como alojamiento y desayuno, hoteles, moteles y otros tipos de entornos residenciales, incluso en casas de campo, áreas del personal de cocina en tiendas, oficinas y otros entornos laborales.

- Este dispositivo no está destinado a ser utilizado por personas (incluidos niños) con capacidades





físicas, sensoriales o mentales reducidas, o por falta de experiencia y conocimiento, a menos que hayan recibido supervisión o instrucciones sobre el uso del dispositivo por parte de una persona responsable de su uso. la seguridad.

- Este aparato no es un juguete. Los niños deben ser supervisados para asegurarse de que no jueguen con el aparato.

- Este aparato no es un juguete. Los niños deben ser supervisados para asegurarse de que no jueguen con el aparato.

- No exponga el aparato a temperaturas extremas

- No exponer a temperaturas extremas o magnetismo fuerte.

- Ponga el aparato en un lugar seco y sin polvo , alejado de la luz solar directa.

- Siempre revise la plataforma de trabajo antes de la operación y elimine cualquier obstrucción, como clavos, grapas, tornillos, cordeles, trapos, paños y otros desechos.

- Utilizar únicamente el aparato para la realización de tareas en seco.

- No utilice el aparato en ninguna parte del cuerpo de una persona o animal.

- Deje que el aparato funcione sin carga durante 30 segundos en una posición segura. Si observa vibraciones graves u otros defectos, detenga el aparato inmediatamente. Luego verifique el problema y / o proceda como lo describimos en la cláusula de Anomalías y Reparación.

- El aparato se puede utilizar en superficies tales como: madera, cartón, plástico, yeso, etc.

## Descripción del producto y especificaciones

### DESCRIPCIÓN

- A. Botón de velocidad variable
- B. Interruptor de arranque
- C. botón de bloqueo
- D. Interruptor de dirección de rotación
- E. Selector de perforación de perforación / impacto
- F. Portabrocas
- G. Asa auxiliar
- H. parada de profundidad
- I. Chuck Key
- J. Ventilaciones de refrigeración

Si el modelo de su aparato no tiene los accesos descritos anteriormente, también se pueden

comprar por separado del Servicio de Asistencia Técnica.

## Instrucciones de uso

### Antes de usar:

- Asegúrese de que todo el embalaje del producto ha sido eliminado.

- Asegúrese de que el voltaje indicado en la etiqueta de clasificación coincida con el voltaje de la red eléctrica antes de enchufar el aparato.

- Antes de utilizar este producto por primera vez, es importante realizar una carga completa de las baterías.

- Prepare el aparato de acuerdo con la función que desee utilizar:

### OPERACION AUXILIARI

- Cuando trabaje siempre use el asa auxiliar (G)

- La profundidad de perforación se puede ajustar de acuerdo a sus necesidades. Empuje el tope de profundidad hasta que marque la profundidad que necesita para perforar. La mejor manera es hacer primero una perforación y ajustar el tope de profundidad.

### INSERTANDO UN POCO

- Para abrir el mandril del taladro, use la llave del mandril (I) y gírela hacia la izquierda.

- Inserte la broca dentro del mandril

- Use la llave del portabrocas para cerrar el portabrocas y asegurar la broca.

### Atornillar, taladrar / desatornillar:

- Para taladrar o atornillar, SIEMPRE tenga la dirección configurada en sentido horario (CW).

- Para destornillar, ajuste la dirección en sentido contrario a las agujas del reloj (CCW).

- El aparato no debe estar en uso al cambiar la dirección de atornillado.

Cómo seleccionar la dirección de rotación (Fig. A)

- No cambie la dirección de rotación mientras el motor de la herramienta está en funcionamiento. El aparato tiene un selector (D), que permite La dirección de rotación a cambiar.

Control electrónico de velocidad: (Fig A)






- La velocidad del aparato se puede regular de acuerdo con la presión ejercida sobre el interruptor de encendido / apagado (A). Esta función es muy útil, ya que permite adaptar la velocidad del aparato al tipo de trabajo que se necesita realizar.


- Si el aparato funciona continuamente a baja velocidad, la vida activa del aparato será reducir considerablemente con d.

Seleccione la función (Fig A)

Perforación

- Gire el selector (E) hasta que apunte a (  ).

Perforación con función de impacto

- Gire el selector (E) hasta que apunte a (  ).

#### Utilizar:

- Conecte el aparato a la red eléctrica.
- Seleccione la función del aparato deseada.
- Seleccione la velocidad deseada.
- Encienda el aparato con el botón de encendido / apagado (UNA)

#### Botón de bloqueo:

- Para activar esta función, presione el botón (C) mientras mantiene presionado el interruptor de arranque.
- Para desactivar esta función, presione el interruptor de arranque hacia abajo.

Una vez que haya terminado de utilizar el aparato:

- Detenga el aparato soltando el interruptor de encendido / apagado.
- Limpiar el aparato.

#### Limpeza

- Desconecte el aparato de la red eléctrica y deje que se enfríe antes de realizar cualquier tarea de limpieza.
- Limpie el equipo eléctrico y la conexión a la red eléctrica con un paño húmedo y seque. NO IMMERSE EN AGUA O CUALQUIER OTRO LÍQUIDO.
- Limpie el equipo con una toallita húmeda con unas gotas de detergente y luego séquelo.
- No utilice disolventes ni productos con un pH

ácido o básico como la lejía o productos abrasivos para limpiar el aparato.

- No permita que el agua o cualquier otro líquido entre en el

Ventilaciones de aire para evitar daños en las partes internas del aparato.

- Nunca sumerja el aparato en agua ni en ningún otro líquido, ni lo coloque bajo agua corriente.
- Si el aparato no está en buenas condiciones de limpieza, su superficie puede degradarse e inexcusablemente afectar la duración de la vida útil del aparato y podría ser peligroso para su uso.

#### Suministros

- Utilice siempre suministros originales, diseñados específicamente para el modelo de su aparato.

- Estos suministros están disponibles en tiendas especializadas.

#### Anomalías y reparación.

- Lleve el aparato a un servicio técnico autorizado si el producto está dañado o si surgen otros problemas. No intente desmontar o reparar el aparato usted mismo, ya que puede ser peligroso.

Si la conexión a la red eléctrica ha sido dañada, debe reemplazarse, lleve el aparato a un servicio técnico autorizado. No intente desarmar o reparar el aparato usted mismo para evitar riesgos.

#### Presupuesto:

Modelo	ID810RE
Potencia nominal	810W
Tensión nominal	220-240 V ~
Frecuencia nominal	50/60 Hz
Sin velocidad de carga	0-3000 rpm
Velocidad electronica controlar	✓
Maxima capacidad	Acero: 10mm
Madera:	24mm
Albañilería:	13
Capacidad de mandril de taladro	Ø 13mm
Reversible	✓
Peso	2,2 kg





NB: Estas especificaciones están sujetas a cambios sin previo aviso de mejora.

-Nivel de sonido medido determinado según EN60745.

-El nivel de emisión de vibración dado en esta hoja de información se ha medido de acuerdo con EN60745 y se puede usar para comparar una herramienta con otra.  
Puede ser utilizado para una evaluación preliminar de la exposición.

-El valor de vibración durante el uso real de la herramienta eléctrica puede diferir del valor total declarado dependiendo de la forma en que se usa la herramienta

-Es necesario identificar medidas de seguridad para proteger al operador que se basan en una estimación de la exposición en las condiciones reales de uso (teniendo en cuenta todas las partes del ciclo de operación, como los tiempos en que la herramienta está apagada y cuándo se está ejecutando inactivo además del tiempo de activación).

Para versiones de productos de la UE y / o en caso de que se solicite en su país:

Ecología y reciclabilidad del producto.

- Los materiales que componen el embalaje de este aparato se incluyen en un sistema de recolección, clasificación y reciclaje. Si desea deshacerse de ellos, use los contenedores de reciclaje públicos apropiados para cada tipo de material.

- El producto no contiene concentraciones de sustancias que puedan considerarse perjudiciales para el medio ambiente.

- Este aparato contiene, o podría contener, aceite. Recuerde que uno debe cumplir con las regulaciones concernientes a la eliminación de este tipo de contaminante.



- Este símbolo significa que, en caso de que desee desechar el producto una vez que haya finalizado su vida útil, llévelo a un agente de desechos autorizado para la recolección selectiva de desechos de equipos eléctricos y electrónicos (WEEE).



- Este símbolo significa que el usuario debe consultar las advertencias e instrucciones de seguridad a fondo antes de usarlo.



- Este símbolo significa usar protección para los oídos.



- Este símbolo significa usar protección para los ojos.



- Este símbolo significa que la herramienta es de clase II.



- Declaración de conformidad

Por la presente declaramos, bajo nuestra responsabilidad, que los productos CASALS descritos en este manual ID810RE cumplen con las siguientes normas: EN 60745-1, EN 60745-2-1, EN 60745-2-2, EN 55014-1, EN 55014-2, EN 61000-3-2, EN 61000-3-3 y EN 62321 de acuerdo con las directivas de la UE 2006/42 / EC, 2014/30 / EC y 2011/65 / EU

Oliana , 24/03/2017

Avda . Barcelona, s / n.

25790 oliana. Lleida-ESPAÑA



## FORET À IMPACT ID810RE

### **Cher client,**

Merci beaucoup de faire confiance à Casals. Grâce à ses efforts continus, à son innovation et aux contrôles de qualité les plus stricts, Casals développe des outils électriques pour les travaux les plus difficiles.

### **Avertissement relatif à la sécurité des outils électriques**

**AVERTISSEMENT** Lisez tous les avertissements de sécurité et toutes les instructions, illustrations et spécifications fournies avec cet outil électrique. Le non respect de toutes les instructions énumérées ci-dessous peut entraîner un choc électrique, un incendie et / ou des blessures graves

Conservez tous les avertissements et instructions pour référence future

Le terme « outil électroportatif » e avertissements e fait référence à votre réseau local (avec fil) outil électrique ou à piles (sans fil) outil électrique

### **Sécurité de la zone de travail**

- Gardez la zone de travail propre et bien éclairée. Les zones encombrées ou sombres invitent aux accidents
- N'utilisez pas d'outils électriques dans des atmosphères explosives, par exemple en présence de liquides, de gaz ou de poussières inflammables. Les outils électriques créent des étincelles qui peuvent enflammer la poussière ou les émanations
- Tenez les enfants et les passants à l'écart lorsque vous utilisez un outil électrique. Les distractions peuvent vous faire perdre le contrôle

### **Sécurité électrique**

- Les fiches des outils électriques doivent correspondre à la prise. Ne modifiez jamais la fiche de quelque manière que ce soit. N'utilisez pas d'adaptateur avec des outils électriques mis à la terre. Les fiches non modifiées et les prises correspondantes réduisent le risque de choc électrique

- Évitez tout contact du corps avec des surfaces mises à la terre, telles que des tuyaux, des radiateurs, des cuisinières et des réfrigérateurs. Il y a un risque accru de choc électrique si votre corps est mis à la terre ou mis à la terre

- N'exposez pas les outils électriques à la pluie ou à des conditions humides . La pénétration d'eau dans un outil électrique augmente le risque de choc électrique

- N'abusez pas le cordon. N'utilisez jamais le cordon pour transporter, tirer ou débrancher l'outil électrique. Tenez le cordon à l'écart de la chaleur, de l'huile, des arêtes vives ou des pièces mobiles. Les cordons endommagés ou emmêlés augmentent le risque de choc électrique

Lors de l'utilisation de l'outil électrique à l'extérieur, utilisez une rallonge adaptée à une utilisation en extérieur. Utiliser un cordon adapté à une utilisation en extérieur réduit le risque de choc électrique

- Si l'utilisation d'un outil électrique dans un endroit humide est inévitable, utilisez une alimentation protégée par un dispositif à courant différentiel résiduel (RCD). L'utilisation d'un DDR réduit le risque de choc électrique

### **Sécurité personnelle**

- Restez vigilant, surveillez ce que vous faites et faites preuve de bon sens lorsque vous utilisez un outil électrique. N'utilisez pas d'outil électrique lorsque vous êtes fatigué ou sous l'influence de drogues, d'alcool ou de médicaments. Un moment d'inattention lors de l'utilisation d'outils électriques peut entraîner des blessures graves
- Utiliser un équipement de protection individuelle. Portez toujours des lunettes de protection. L'équipement de protection tel qu'un masque anti-poussière, des chaussures de sécurité antidérapantes, un casque de protection ou des protections auditives utilisées dans des conditions appropriées réduira les risques de blessures
- Empêcher les démarrages involontaires. Assurez-vous que l'interrupteur est en position d'arrêt avant de connecter la source d'alimentation et / ou la batterie, de prendre ou de transporter l'outil. Porter des outils électriques avec le doigt sur l'interrupteur ou alimenter des outils électriques avec l'interrupteur en marche peut provoquer des



accidents

- Retirez toute clé de réglage ou clé avant de mettre l'outil électrique en marche. Une clé ou une clé laissée sur une pièce rotative de l'outil électrique peut entraîner des blessures
- Ne pas trop atteindre. Gardez une bonne assise et un bon équilibre à tout moment. Cela permet de mieux contrôler l'outil électroportatif dans des situations imprévues
- Habillez-vous correctement. Ne pas porter de vêtements amples ou des bijoux. Gardez vos cheveux et vos vêtements à l'écart des pièces en mouvement. Les vêtements amples, les bijoux ou les cheveux longs peuvent être happés par les pièces en mouvement .
- Si des dispositifs sont fournis pour la connexion des installations d'extraction et de collecte de poussière, assurez-vous qu'ils sont connectés et utilisés correctement. L'utilisation d'un dépoussiéreur peut réduire les risques liés à lapoussière .
- Ne laissez pas la familiarité acquise avec l'utilisation fréquente d'outils vous permettre de devenir complaisant et d'ignorer les principes de sécurité des outils. Une action négligente peut causer des blessures graves en une fraction de seconde.

### Utilisation et entretien des outils électriques

- Ne forcez pas l'outil électrique. Utilisez le bon outil pour votre application. Le bon outil électrique fera le travail mieux et plus sûrement au rythme pour lequel il a été conçu .
- N'utilisez pas l'outil si l'interrupteur ne l'allume pas et ne l'éteint pas. Tout outil électrique qui ne peut pas être contrôlé avec l'interrupteur est dangereux et doit être réparé
- Débranchez la fiche de la source d'alimentation et / ou de la batterie, si celle-ci est détachable, de l'outil électrique avant de procéder à tout réglage, de changer d'accessoire ou de ranger les outils électriques. De telles mesures de sécurité préventives réduisent le risque de démarrage accidentel de l'outil électrique
- Rangez l'outil électrique inactif hors de la portée des enfants et ne permettez pas à des personnes inconnues de l'outil électrique ou de ces instructions de le faire fonctionner. Les outils électriques sont dangereux entre les mains d'utilisateurs non formés
- Entretien des outils électriques et les accessoires. Vérifiez le mauvais alignement ou le coincement des pièces mobiles, la rupture de

pièces et toute autre condition pouvant affecter le fonctionnement de l'outil électrique. Si endommagé, faites réparer l'outil électrique avant de l'utiliser. De nombreux accidents sont causés par des outils électriques mal entretenus

- Gardez les outils de coupe tranchants et propres. Les outils de coupe bien entretenus avec des arêtes tranchantes sont moins susceptibles de se coincer et sont plus faciles à contrôler
- Utilisez l'outil électrique, les accessoires, les embouts d'outil, etc. conformément à ces instructions, en tenant compte des conditions de travail et du travail à effectuer. L'utilisation de l'outil électroportatif pour des opérations différentes de celles prévues peut entraîner une situation dangereuse.
- Gardez les poignées et les surfaces de préhension sèches, propres et exemptes d'huile et de graisse. Les poignées glissantes et les surfaces à saisir ne permettent pas une manipulation et un contrôle sûr de l'outil dans des situations inattendues

### Un service

- Faites réparer votre outil électrique par un réparateur qualifié en utilisant uniquement des pièces de rechange identiques. Cela garantira le maintien de la sécurité de l'outil électrique
- Toute utilisation abusive ou non-respect des instructions d'utilisation rend la garantie et la responsabilité du fabricant nulles et non avenues.

### Avertissements de sécurité de forêt

- Portez des protège-oreilles lors du perçage à l'impact.

### L'exposition au bruit peut causer une perte auditive.

- Utilisez la ou les poignées auxiliaires, si fournies avec l'outil. Une perte de contrôle peut causer des blessures.
- Tenez l'outil électroportatif à l'aide de surfaces de préhension isolées lorsque vous effectuez une opération où l'accessoire de coupe risque d'entrer en contact avec un câblage dissimulé.

Les accessoires de coupe qui entrent en contact avec un fil sous tension peuvent rendre les parties métalliques exposées de l'outil électrique sous tension. et pourrait donner à l'opérateur un choc





électrique.

Avertissements concernant la sécurité des tournevis

- Tenez l'outil électroportatif à l'aide de surfaces de préhension isolées lorsque vous effectuez une opération dans laquelle l'accessoire de coupe risque d'entrer en contact avec un câblage caché ou son propre cordon. Les accessoires de coupe qui entrent en contact avec un fil sous tension risquent de rendre les parties métalliques exposées de l'outil électroportatif sous tension et de donner un choc électrique à l'opérateur.

### Avertissements de sécurité supplémentaires

- Si d'autres appareils à gaz ou à combustible peuvent être utilisés en même temps dans la pièce dans laquelle l'appareil doit être utilisé, cette pièce doit être bien ventilée.

- Ne placez pas de matériau inflammable à proximité de l'appareil.

**ATTENTION:** afin d'éviter une surchauffe, ne couvrez pas l'appareil.

- Assurez-vous que ni l'entrée d'air ni la sortie d'air ne soient totalement ou partiellement recouvertes de draperies, de vêtements, etc., car cela augmente le risque d'incendie.

- N'utilisez pas l'appareil si le câble ou la fiche est endommagé.

- Assurez-vous que la tension indiquée sur l'étiquette signalétique correspond à la tension du secteur avant de brancher l'appareil.

- Connectez l'appareil à une prise pouvant fournir un minimum de 10 ampères.

- Utilisez l'appareil uniquement avec le connecteur électrique spécifique fourni.

- Si l'un des boîtiers de l'appareil se casse, débranchez immédiatement l'appareil du secteur afin d'éviter tout risque d'électrocution.

- N'utilisez pas l'appareil s'il est tombé sur le sol, s'il présente des signes visibles de dommages ou s'il présente une fuite.

- **ATTENTION:** Maintenez l'appareil au sec.

- **ATTENTION:** N'utilisez pas l'appareil près de l'eau.

- N'utilisez pas l'appareil avec les mains ou les

pieds humides, ou pieds nus.

- Ne coupez ni ne pliez le cordon d'alimentation.

- Ne laissez pas le cordon d'alimentation pendre ou entrer en contact avec les surfaces chaudes du chargeur de batterie.

- Vérifiez l'état du cordon d'alimentation. Les câbles endommagés ou emmêlés augmentent le risque de choc électrique.

- Ne touchez pas la fiche avec les mains mouillées.

- Utilisez des pinces ou un étau pour fixer l'objet à travailler en place. Le travail sera plus sûr si les deux mains sont libres pour contrôler l'outil.

- Ne touchez aucune des pièces mobiles de l'appareil pendant son fonctionnement.

- Déroulez complètement le câble d'alimentation de l'appareil avant chaque utilisation.

Gardez les mains et les autres parties du corps à l'écart de la zone de travail pendant l'utilisation de l'outil.

N'utilisez pas l'appareil si ses accessoires ne sont pas bien ajustés.

- N'utilisez pas l'appareil si les accessoires ou les consommables qui y sont attachés sont défectueux. Remplacez-les immédiatement.

- Débranchez l'appareil du secteur lorsqu'il n'est pas utilisé et avant de commencer toute tâche de nettoyage.

- Cet appareil est destiné uniquement à un usage domestique, non professionnel, industriel.

**ATTENTION:** Ne laissez pas l'appareil sans surveillance pendant son utilisation, vous risqueriez un accident.

- Ne touchez pas les pièces chauffées de l'appareil, car cela pourrait causer de graves brûlures.

- Cet appareil est uniquement destiné à un usage domestique, pas à un usage industriel ou professionnel. Il n'est pas destiné à être utilisé par les clients dans des environnements d'accueil tels que chambres d'hôtes, hôtels, motels et autres types d'environnements résidentiels, même dans les maisons de ferme, les locaux de la cuisine dans les magasins, les bureaux et autres environnements de travail.

- Cet appareil n'est pas destiné à être utilisé par







des personnes (y compris les enfants) ayant des capacités physiques, sensorielles ou mentales, ou le manque d'expérience et de connaissances, un le art qu'ils ont été donnés sion ou instruction SUPERVI concernant l'utilisation de l'appareil par une personne responsable de leur sécurité.

- Cet appareil n'est pas un jouet. Les enfants doivent être surveillés pour s'assurer qu'ils ne jouent pas avec l'appareil.

- Cet appareil n'est pas un jouet. Les enfants doivent être surveillés pour s'assurer qu'ils ne jouent pas avec l'appareil.

- N'exposez pas l'appareil à des températures extrêmes .

- Ne pas exposer à des températures extrêmes ou à un fort magnétisme.

- Conservez l'appareil dans un endroit sec, à l'abri de la poussière et de la lumière directe du soleil.

- Vérifiez toujours le poste de travail avant utilisation et éliminez toute obstruction, telle que des clous, des agrafes, des vis, de la ficelle, des chiffons, des chiffons et autres débris.

- Utilisez cet appareil uniquement pour effectuer des tâches sèches.

- N'utilisez l'appareil sur aucune partie du corps d'une personne ou d'un animal.

- Laissez l'appareil fonctionner sans charge pendant 30 secondes dans une position sûre. Si vous remarquez des vibrations graves ou d'autres défauts, arrêtez immédiatement l'appareil . Ensuite, vérifiez le problème et / ou procédez comme décrit dans la clause Anomalies and Repair.

- L'appareil peut être utilisé sur des surfaces telles que: bois, carton, plastique, plâtre, etc.

## Description du produit et spécifications

### LA DESCRIPTION

- A. Bouton de vitesse variable
- B. Interrupteur de démarrage
- C. Bouton de verrouillage
- D. Commutateur de sens de rotation
- E. Sélecteur perceuse / perceuse à percussion
- F. Mandrin
- G. poignée auxiliaire
- H. Butée de profondeur
- I. Chuck Key
- J. événements de refroidissement

Si le modèle de votre appareil ne comporte pas les

accessoires décrits ci-dessus, vous pouvez également les acheter séparément auprès du service d'assistance technique.

### Mode d'emploi

#### Avant utilisation:

- Assurez-vous que tous les emballages du produit ont été retirés.

- Assurez-vous que la tension indiquée sur l'étiquette signalétique correspond à la tension du secteur avant de brancher l'appareil.

- Avant d'utiliser ce produit pour la première fois, il est important de charger complètement les batteries.

- Préparez l'appareil en fonction de la fonction que vous souhaitez utiliser:

### FONCTIONNEMENT AUXILIARI

- Lorsque vous travaillez, utilisez toujours la poignée auxiliaire (G)

- La profondeur de forage peut être réglée en fonction de vos besoins. Poussez la butée de profondeur jusqu'à ce qu'elle indique la profondeur à percer. Le meilleur moyen est de commencer par forer et d'ajuster la butée de profondeur.

### INSÉRER UN PETIT

- Pour ouvrir le mandrin de la perceuse, utilisez la clé de mandrin (I) et faites-la pivoter dans le sens inverse des aiguilles d'une montre.

- Insérer le foret dans le mandrin

- Utilisez la clé du mandrin pour fermer le mandrin et assurer le foret.

### Visser, percer / dévisser:

- Pour percer ou visser, TOUJOURS avoir la direction réglée dans le sens des aiguilles d'une montre (CW).

- Pour dévisser, réglez le sens anti-horaire (CCW).

- L'appareil ne doit pas être utilisé lors du changement de sens de vissage.

Comment sélectionner le sens de la rotation (Fig A)

- Ne changez pas le sens de rotation lorsque le moteur de l'outil est en marche.

L'appareil est doté d'un sélecteur (D) qui permet le sens de rotation à changer.






Contrôle électronique de la vitesse: (Fig A)

- La vitesse de l'appareil peut être réglée en fonction de la pression exercée sur l'interrupteur marche / arrêt (A). Cette fonction est très utile car elle permet d'adapter la vitesse de l'appareil au type de travail à effectuer.


- Si l'appareil fonctionne en continu à faible vitesse, durée de vie de l'appareil sera de réduire d con dérablement.

### Sélectionnez la fonction (Fig A)

Forage

- Tournez le sélecteur (E) jusqu'à ce que pointe vers (  ).

Forage avec fonction d'impact

- Tournez le sélecteur (E) jusqu'à ce que pointe vers (  ).

### Utilisation:

- Connectez l'appareil au secteur.
- Sélectionnez la fonction de l'appareil souhaitée.
- Sélectionnez la vitesse souhaitée.
- Allumez l'appareil à l'aide du bouton marche / arrêt (UNE)

### Bouton de verrouillage:

- Pour activer cette fonction, appuyez sur le bouton (C) tout en maintenant l'interrupteur de démarrage enfoncé.
- Pour désactiver cette fonction, appuyez à fond sur l' interrupteur de démarrage .

Une fois que vous avez fini d'utiliser l'appareil:

- Arrêtez l'appareil en relâchant l'interrupteur marche / arrêt.
- Nettoyer l'appareil

### Nettoyage

- Débranchez l'appareil du secteur et laissez-le refroidir avant d'entreprendre toute tâche de nettoyage.
- Nettoyez le matériel électrique et la prise secteur avec un chiffon humide et séchez-les. NE PAS IMMERGER DANS L'EAU OU TOUT AUTRE LIQUIDE.
- Nettoyez l'équipement avec un chiffon humide avec quelques gouttes de liquide vaisselle , puis essuyez.
- N'utilisez pas de solvants ni de produits au pH

acide ou basique, tels que l'eau de javel ou les produits abrasifs, pour nettoyer l'appareil.

- Ne laissez pas d'eau ou tout autre liquide pénétrer dans le

des bouches d'aération pour éviter d'endommager les parties internes de l'appareil.

- Ne plongez jamais l'appareil dans de l'eau ou dans tout autre liquide, ni ne le placez sous l'eau courante.

- Si l'appareil n'est pas en bon état de propreté , sa surface peut se dégrader et affecter inexorablement la durée de vie de l'appareil et pourrait devenir dangereuse à utiliser.

### Provisions

- Utilisez toujours des fournitures d'origine, spécifiquement conçu pour votre modèle d'appareil.
- Ces fournitures sont disponibles dans les magasins spécialisés.

### Anomalies et réparation

- Adressez-vous à un service d'assistance technique agréé si le produit est endommagé ou si d'autres problèmes se produisent. N'essayez pas de démonter ou de réparer vous-même l'appareil, cela pourrait être dangereux.

Si la connexion au secteur a été endommagée , vous devez la remplacer, adressez-vous à un service d'assistance technique agréé. N'essayez pas de démonter ou de réparer vous-même l'appareil afin d'éviter tout danger.

### Caractéristiques:

Modèle	ID810RE
Puissance nominale	810W
Tension nominale	220-240 V ~
Fréquence nominale	50/60 Hz
Pas de vitesse de chargement	0-3000 rpm
Vitesse électronique contrôle	✓
Capacité maximale	Acier: 10mm
Bois: 24mm	
Maçonnerie: 13	
Contrôle de vitesse électronique	Ø 13mm
Réversible	✓
Poids	2,2 kg





NB: Les présentes spécifications sont sujettes à modification sans préavis .

-Niveau sonore mesuré déterminé selon EN60745

-Le niveau d'émissions de vibrations indiqué dans cette fiche d'information a été mesuré selon la norme EN60745 et peut être utilisé pour comparer un outil à un autre.

Il peut être utilisé pour une évaluation préliminaire de l'exposition

-La valeur de vibration pendant l'utilisation réelle de l'outil électrique peut différer de la valeur totale déclarée en fonction de la manière dont l'outil est utilisé

-Il faut identifier les mesures de sécurité à protéger de l'opérateur qui reposent sur une estimation de l'exposition dans les conditions réelles d'utilisation (en tenant compte de toutes les parties du cycle de fonctionnement, telles que les moments où l'outil est mis hors tension et quand tourne au ralenti en plus du temps de déclenchement).

Pour les versions de produits de l'UE et / ou si cela est demandé dans votre pays:

#### Ecologie et recyclabilité du produit

- Les matériaux composant l'emballage de cet appareil sont inclus dans un système de collecte, de classification et de recyclage. Si vous souhaitez vous en débarrasser, utilisez les bacs de recyclage publics appropriés pour chaque type de matériau.

- Le produit ne contient pas de concentrations de substances pouvant être considérées comme nocives pour l'environnement.

- Cet appareil contient ou pourrait contenir de l'huile. Rappelez-vous qu'il convient de respecter les réglementations relatives à l'élimination de ce type de contaminant.



- Ce symbole signifie que si vous souhaitez vous débarrasser du produit à la fin de sa vie utile, adressez-vous à un agent de traitement des déchets agréé pour la collecte sélective des déchets d'équipements électriques et électroniques (DEEE).



- Ce symbole signifie que l'utilisateur doit impérativement consulter les consignes de sécurité et les instructions avant utilisation.



- Ce symbole signifie porter une protection auditive.



- Ce symbole signifie porter des lunettes de protection.



- Ce symbole signifie que l'outil est de classe II



- Déclaration de conformité

Nous déclarons par les présentes que les produits CASALS décrits dans ce manuel ID810RE sont conformes aux normes suivantes: EN 60745-1, EN 60745-2-1, EN 60745-2-2, EN 55014-1, EN 55014-2, EN 61000-3-2, EN 61000-3-3 et EN 62321 conformément aux directives européennes 2006/42 / CE, 2014/30 / CE et 2011/65 / UE

Oliana , le 24/03/2017

Avda . Barcelone, s / n.

25790 OLIANA. Lleida-ESPAÑA



## BROCA DE IMPACTO ID810RE

### Estimado cliente,

Muito obrigado por confiar em Casals.

Graças ao seu esforço contínuo, nossa inovação e os controles de qualidade mais rigorosos, a Casals desenvolve ferramentas de energia elétrica para os trabalhos mais difíceis.

### **Aviso geral de segurança das ferramentas elétricas**

AVISO Leia todos os avisos de segurança e todas as instruções, ilustrações e especificações fornecidas com esta ferramenta. O não cumprimento de todas as instruções listadas abaixo pode resultar em choque elétrico, incêndio e / ou ferimentos graves.

Guarde todos os avisos e instruções para referência futura

O termo “ferramenta” em e advertências th refere-se a seus corrente (com fios) ferramenta elétrica ou bateria operado (sem fio) ferramenta de poder

### Segurança da área de trabalho

- Mantenha a área de trabalho limpa e bem iluminada. Áreas desordenadas ou escuras convidam a acidentes

- Não opere ferramentas elétricas em atmosferas explosivas, como na presença de líquidos inflamáveis, gases ou poeira. Ferramentas elétricas criam faíscas que podem inflamar a poeira ou os fumos

- Mantenha crianças e transeuntes afastados enquanto estiver operando uma ferramenta elétrica. Distrações podem fazer com que você perca o controle

### Segurança elétrica

- Os plugues da ferramenta elétrica devem coincidir com a tomada. Nunca modifique a ficha de qualquer forma. Não use plugues adaptadores com ferramentas elétricas aterradas. Plugues não modificados e tomadas correspondentes reduzirão o risco de choque elétrico

- Evite o contato do corpo com superfícies aterradas ou aterradas, como tubos, radiadores, fogões e refrigeradores. Existe um risco aumentado de choque elétrico se o seu corpo estiver aterrado ou aterrado

- Não exponha ferramentas elétricas à chuva ou a condições de umidade. A entrada de água em uma ferramenta elétrica aumentará o risco de choque elétrico

- Não abuse do cabo. Nunca use o cabo para transportar, puxar ou desconectar a ferramenta elétrica. Mantenha o cabo longe do calor, óleo, bordas afiadas ou partes móveis. Cabos danificados ou emaranhados aumentam o risco de choque elétrico

Ao operar a ferramenta elétrica ao ar livre, use um cabo de extensão adequado para uso externo. Use um cabo adequado para uso externo reduz o risco de choque elétrico

- Se for inevitável operar uma ferramenta elétrica em um local úmido, use um suprimento protegido de dispositivo de corrente residual (RCD). O uso de um RCD reduz o risco de choque elétrico

### Segurança pessoal

- Fique atento, observe o que você está fazendo e use o bom senso ao operar uma ferramenta elétrica. Não use uma ferramenta elétrica quando estiver cansado ou sob a influência de drogas, álcool ou medicamentos. Um momento de desatenção ao operar ferramentas elétricas pode resultar em ferimentos graves

- Use equipamento de proteção pessoal. Sempre use proteção para os olhos. Equipamentos de proteção, como máscaras contra poeira, sapatos de segurança antiderrapantes, capacete de segurança ou proteção auditiva usados para condições adequadas, reduzirão danos pessoais

- Impedir o início não intencional. Certifique-se de que o interruptor esteja na posição desligada antes de conectar a fonte de alimentação e / ou a bateria, pegando ou carregando a ferramenta. Carregar ferramentas elétricas com o dedo no interruptor ou energizar as ferramentas elétricas que ativam o interruptor

- Remova qualquer chave ou chave de ajuste antes de ligar a ferramenta elétrica. Uma chave



ou uma chave deixada presa a uma parte rotativa da ferramenta elétrica pode resultar em ferimentos pessoais

- Não exagere. Mantenha o equilíbrio e o equilíbrio adequados em todos os momentos. Isso permite um melhor controle da ferramenta elétrica em situações inesperadas

- Vista-se adequadamente. Não use roupas soltas ou joalheria. Mantenha seu cabelo e roupas longe de peças móveis. Roupas soltas, joias ou cabelos compridos podem ficar presos nas partes móveis .

- Se forem fornecidos dispositivos para a conexão de instalações de coleta e extração de poeira, certifique-se de que eles estejam conectados e sejam usados adequadamente. O uso de coleta de poeira pode reduzir os riscos relacionados à poeira .

- Não permita que a familiaridade obtida com o uso freqüente de ferramentas permita que você se torne complacente e ignore os princípios de segurança da ferramenta. Uma ação descuidada pode causar ferimentos graves em uma fração de segundo.

### Uso de ferramentas e cuidados

- Não force a ferramenta elétrica. Use a ferramenta elétrica correta para sua aplicação. A ferramenta elétrica correta fará o trabalho melhor e mais seguro na taxa para a qual foi projetada.

- Não use a ferramenta elétrica se o interruptor não ligar e desligar. Qualquer ferramenta elétrica que não possa ser controlada com o interruptor é perigosa e deve ser reparada

- Desconecte o plugue da fonte de alimentação e / ou da bateria, caso seja destacável, da ferramenta antes de fazer qualquer ajuste, trocar acessórios ou armazenar ferramentas elétricas. Tais medidas de segurança preventivas reduzem o risco de ligar a ferramenta elétrica acidentalmente

- Guarde a ferramenta elétrica fora do alcance de crianças e não permita que pessoas não familiarizadas com a ferramenta elétrica ou com essas instruções usem a ferramenta elétrica. Ferramentas elétricas são perigosas nas mãos de usuários não treinados

- Manter ferramentas elétricas e acessórios. Verifique se há desalinhamento ou encadernação de partes móveis, quebra de peças e qualquer outra condição que possa afetar a operação da ferramenta elétrica. Se danificada, mande reparar a ferramenta antes de a usar. Muitos acidentes são causados por ferramentas elétricas mal con-

servadas

- Mantenha as ferramentas de corte afiadas e limpas. Ferramentas de corte com manutenção adequada e arestas de corte vivas têm menor probabilidade de se ligarem e são mais fáceis de controlar

- Use a ferramenta elétrica, acessórios e bits de ferramentas, etc. , de acordo com estas instruções, levando em conta as condições de trabalho e o trabalho a ser executado. O uso da ferramenta elétrica para operações diferentes daquelas pretendidas pode resultar em uma situação perigosa.

- Mantenha as alças e as superfícies de agarramento secas, limpas e livres de óleo e graxa. Pegas escorregadias e superfícies de agarrar não permitem um manuseamento e controle seguros da ferramenta em situações inesperadas

### Serviço

- A sua ferramenta elétrica deve ser consertada por um reparador qualificado usando apenas peças de reposição idênticas. Isso garantirá que a segurança da ferramenta seja mantida

-Qualquer uso indevido ou falha em seguir as instruções de uso torna a garantia e a responsabilidade do fabricante nulas e sem efeito.

### Avisos de segurança de perfuração

-Usar protetores de ouvido quando perfuração de impacto.

### A exposição ao ruído pode causar perda auditiva.

-Utilize a (s) alavanca (s) auxiliar (es), se fornecida com a ferramenta. Perda de controle pode causar ferimentos pessoais.

- Segure a ferramenta elétrica por superfícies de aperto isoladas ao executar uma operação em que o acessório de corte possa entrar em contato com a fiação oculta.

O acessório de corte que entra em contato com um fio "energizado" pode tornar as partes metálicas expostas da ferramenta elétrica "energizadas" e pode dar ao operador um choque elétrico.

Avisos de segurança da chave de fenda





- Segure a ferramenta elétrica por superfícies de aperto isoladas, ao executar uma operação em que o acessório de corte possa entrar em contato com a fiação oculta ou com o próprio cabo. O acessório de corte que entra em contato com um fio “energizado” pode tornar as partes metálicas expostas da ferramenta elétrica “energizadas” e pode dar ao operador um choque elétrico.

### Avisos adicionais de segurança

- Se outros aparelhos a gás ou a combustível puderem ser utilizados ao mesmo tempo na sala onde o aparelho será utilizado, essa sala deve ser bem ventilada.

- Não coloque material inflamável perto do aparelho.

- CUIDADO: Para evitar o superaquecimento, não cubra o aparelho.

- Garantir que nem o acesso nem a saída de ar se tornem total ou parcialmente cobertos por cortinas, tecidos, etc., pois isso aumenta o risco de incêndio.

- Não use o aparelho se o cabo ou o plugue estiver danificado.

- Certifique-se de que a voltagem indicada na etiqueta de classificação corresponda à voltagem da rede elétrica antes de conectar o aparelho.

- Ligue o aparelho a uma tomada que possa fornecer um mínimo de 10 amperes.

- Utilize o aparelho apenas com o conector elétrico específico fornecido.

- Se algum dos invólucros do aparelho se partir, desligue imediatamente o aparelho da corrente elétrica para evitar a possibilidade de um choque elétrico.

- Não utilize o aparelho se este tiver caído no chão, se houver sinais visíveis de danos ou se tiver uma fuga.

- CUIDADO: Mantenha o aparelho seco.

- CUIDADO: Não use o aparelho perto de água.

- Não utilize o aparelho com mãos ou pés úmidos ou com os pés descalços.

- Não prenda nem torça o cabo de alimentação.

- Não permita que o cabo de alimentação fique travado ou entre em contato com as superfícies quentes do carregador de bateria.

- Verifique o estado do cabo de alimentação. Cabos danificados ou emaranhados aumentam o risco de choque elétrico.

- Não toque no plugue com as mãos molhadas.

- Use grampos ou um torno para prender o objeto a ser trabalhado no lugar. O trabalho será mais seguro se ambas as mãos estiverem livres para controlar a ferramenta.

- Não toque em nenhuma das partes móveis do aparelho durante o funcionamento.

- Desenrole completamente o cabo de alimentação do aparelho antes de cada utilização.

Mantenha as mãos e outras partes do corpo afastadas da área de trabalho enquanto a ferramenta estiver em uso.

Não utilize o aparelho se os seus acessórios não estiverem bem colocados.

- Não utilize o aparelho se os acessórios ou consumíveis a ele ligados estiverem com defeito. Substitua-os imediatamente.

- Desconecte o aparelho da tomada quando não estiver em uso e antes de realizar qualquer tarefa de limpeza.

- Este aparelho destina-se apenas a uso doméstico e não a uso industrial.

CUIDADO: Não deixe o aparelho sem vigilância durante o uso, pois há risco de acidente.

- Não toque nas partes aquecidas do aparelho, pois isso pode causar queimaduras graves.

- Este aparelho destina-se apenas a uso doméstico, não para uso industrial ou profissional. Não se destina a ser utilizado por hóspedes em ambientes de hospitalidade, como bed and breakfast, hotéis, motéis e outros tipos de ambientes residenciais, mesmo em casas de fazenda, áreas da equipe de cozinha em lojas, escritórios e outros ambientes de trabalho.

- Este aparelho não deve ser utilizado por pessoas (incluindo crianças) com capacidades físicas, sensoriais ou mentais reduzidas, ou falta de experiência e conhecimento, a menos que tenham recebido supervisão ou instruções relativas ao uso do aparelho por uma pessoa responsável pela sua segurança.

- Este aparelho não é um brinquedo. As crianças





devem ser supervisionadas para garantir que não brincam com o aparelho.

- Este aparelho não é um brinquedo. As crianças devem ser supervisionadas para garantir que não brincam com o aparelho.

- Não exponha o aparelho a temperaturas extremas.

- Não exponha a temperaturas extremas ou a um magnetismo forte.

- Mantenha o aparelho em um local seco e sem poeira, longe da luz direta do sol.

- Sempre verifique o local de trabalho antes da operação e remova quaisquer obstruções, como pregos, grampos, parafusos, barbantes, trapos, panos e outros detritos.

- Utilize o aparelho apenas para executar tarefas secas.

- Não use o aparelho em nenhuma parte do corpo de uma pessoa ou animal.

- Deixe o aparelho a funcionar sem carga durante 30 segundos numa posição segura. Se notar uma vibração grave ou outros defeitos, pare imediatamente o aparelho. Em seguida, verifique o problema e / ou prossiga conforme descrevemos na cláusula Anomalies and Repair.

- O aparelho pode ser usado em superfícies como: madeira, papelão, plástico, gesso, etc.

## Descrição do produto e especificações

### DESCRIÇÃO

- A. botão de velocidade variável
- B. Interruptor de arranque
- C. Botão de bloqueio
- D. Interruptor de direção de rotação
- E. Seletor de perfuração de furação / impacto
- F. mandril de perfuração
- G. Alça auxiliar
- H. Parada de profundidade
- I. Chuck Key
- J. Respiradouros de ventilação

Se o modelo do seu aparelho não tiver os acessórios descritos acima, eles também podem ser comprados separadamente do Serviço de Assistência Técnica.

### Instruções de uso

#### Antes de usar:

- Certifique-se de que todas as embalagens do

produto foram removidas.

- Certifique-se de que a voltagem indicada na etiqueta de classificação corresponda à voltagem da rede elétrica antes de conectar o aparelho.

- Antes de usar este produto pela primeira vez, é importante fazer uma carga completa de baterias.

- Prepare o aparelho de acordo com a função que deseja usar:

### OPERAÇÃO AUXILIARI

- Ao trabalhar, use sempre o manípulo auxiliar (G)

- A profundidade de perfuração pode ser ajustada de acordo com as suas necessidades. Empurre o limitador de profundidade até marcar a profundidade que você precisa para perfurar. A melhor maneira é fazer uma perfuração primeiro e ajustar a rola de profundidade.

### INSERINDO UM BOC

- Para abrir o mandril da broca, use a chave do mandril (I) e gire-a no sentido anti-horário.

- Insira a broca dentro da bucha

- Use a chave da bucha para fechar o mandril e garantir a broca.

### Aparafusar, furar / desaparafusar:

- Para perfurar ou aparafusar, SEMPRE tenha a direção ajustada no sentido horário (CW).

- Para desaparafusar, defina a direção para o sentido anti-horário (CCW).

- O aparelho não deve estar em uso quando mudar a direção de aparafusamento.

Como selecionar a direção da rotação (Fig A)

- Não mude a direção da rotação enquanto o motor da ferramenta estiver em operação.

O aparelho possui um seletor (D), que permite alterar a direção de rotação.

Controle eletrônico de velocidade: (Fig A)


- A velocidade do aparelho pode ser regulada de acordo com a pressão exercida no interruptor on / off (A). Esta função é muito útil, pois permite adaptar a velocidade do aparelho ao tipo de trabalho que precisa ser feito.

- Se o aparelho funcionar continuamente a baixa velocidade, a vida útil do aparelho será reduzida consideravelmente.






## Selecione a função (Fig A) Perfuração

- Rodar o selector (E) até apontar para (  ).

Perfuração com Função de Impacto

- Rodar o selector (E) até apontar para (  ).

### Usar:

- Ligue o aparelho à corrente.
- Selecione a função do aparelho desejada.
- Selecione a velocidade desejada.
- Ligue o aparelho, usando o botão liga / desliga (UMA)

### Botão de bloqueio:

- Para ativar esta função, pressione o botão (C) enquanto mantém pressionada a chave de partida.
- Para desativar esta função, pressione a chave de partida para baixo.

Quando terminar de usar o aparelho:

- Pare o aparelho soltando o interruptor de ligar / desligar.
- Limpe o aparelho

### Limpeza

- Desligue o aparelho da corrente e deixe-o arrefecer antes de executar qualquer tarefa de limpeza.
- Limpe o equipamento elétrico e a conexão da rede elétrica com um pano úmido e seque-o. NÃO IMMERSE NA ÁGUA OU EM QUALQUER OUTRO LÍQUIDO.
- Limpe o equipamento com um pano úmido com algumas gotas de detergente e depois seque.
- Não use solventes ou produtos com um pH ácido ou básico, como alvejante, ou produtos abrasivos, para limpar o aparelho.
- Não deixe a água ou qualquer outro líquido entrar no

saídas de ar para evitar danos nas partes internas do aparelho.

- Nunca mergulhe o aparelho em água ou

qualquer outro líquido ou coloque-o debaixo de água corrente.

- Se o aparelho não estiver em boas condições de limpeza, a sua superfície poderá degradar e afectar inexoravelmente a duração da vida útil do aparelho e poderá tornar-se inseguro de utilizar.

### Suprimentos

- Sempre use suprimentos originais, projetados especificamente para o modelo do seu aparelho.
- Estes suprimentos estão disponíveis em lojas especializadas.

### Anomalias e reparo

- Leve o aparelho a um serviço de assistência técnica autorizado se o produto estiver danificado ou se surgirem outros problemas. Não tente desmontar ou consertar o aparelho por conta própria, pois isso pode ser perigoso.

Se a ligação à rede tiver sido danificada, deve ser substituída, leve o aparelho a um serviço de assistência técnica autorizado. Não tente desmontar ou reparar o aparelho sozinho para evitar perigos.

### Especificações:

Modelo	ID810RE
Potência Nominal	810W
Tensão nominal	220-240 V ~
Frequência Nominal	50/60 Hz
Sem velocidade de carga	0-3000 rpm
Velocidade eletrônica ao controle	✓
Capacidade máxima	Aço: 10mm
Madeira: 24mm	
Maçonaria: 13	
Capacidade de mandril	Ø 13mm
Reversível	✓
Peso	2,2 kg

NB: Estas especificações estão sujeitas a alterações sem aviso prévio de melhoria.

-Medido o nível de som determinado de acordo com EN60745

-O nível de emissão de vibrações fornecido nesta folha de informações foi medido de acordo com







EN60745 e pode ser usado para comparar uma ferramenta com outra.  
Pode ser usado para uma avaliação preliminar da exposição

-O valor de vibração durante o uso real da ferramenta elétrica pode diferir do valor total declarado dependendo da maneira como a ferramenta é usada

-É necessário identificar medidas de segurança para proteger o operador que são baseadas em uma estimativa da exposição nas condições reais de uso (levando em conta todas as partes do ciclo de operação, como quando a ferramenta é desligada e quando está em funcionamento ocioso) além do tempo de disparo).

Para versões de produtos da UE e / ou caso seja solicitado no seu país:

### Ecologia e reciclabilidade do produto

- Os materiais de que consiste a embalagem deste aparelho estão incluídos num sistema de recolha, classificação e reciclagem. Se você desejar descartá-los, use as lixeiras públicas apropriadas para cada tipo de material.

- O produto não contém concentrações de substâncias que possam ser consideradas prejudiciais ao meio ambiente.

- Este aparelho contém ou pode conter óleo. Lembre-se de que se deve respeitar os regulamentos relativos à eliminação deste tipo de contaminante.



- Este símbolo significa que, caso você deseje descartar o produto após o término de sua vida útil, leve-o a um agente de descarte autorizado para a coleta seletiva de Resíduos de Equipamentos Elétricos e Eletrônicos (WEEE).



- Este símbolo significa que o usuário deve consultar cuidadosamente as advertências e instruções de segurança antes de usá-lo.



- Este símbolo significa usar protetores auriculares.



- Este símbolo significa usar proteção para os olhos.



- Este símbolo significa que a ferramenta é de classe II



- Declaração de conformidade

Declaramos, sob nossa responsabilidade, que os produtos CASALS descritos neste manual ID810RE estão em conformidade com os seguintes padrões: EN 60745-1, EN 60745-2-1, EN 60745-2-2, EN 55014-1, EN 55014 -2, EN 61000-3-2, EN 61000-3-3 e EN 62321 de acordo com as diretivas da UE 2006/42 / EC, 2014/30 / EC e 2011/65 / EU

Oliana , 24/03/2017

Avda . Barcelona, s / n.

25790 OLIANA. Lleida-ESPAÑA





# **casals**

## **2 YEAR WARRANTY**

Casals guarantees that this product has been thoroughly inspected and tested before being dispatched and is free from mechanical and electrical defects and complies with the applicable safety standards. However, should defects due to faulty material or workmanship develop, under normal domestic use, within 6 months from the date of purchase please return the product to the store from where it was purchased for a full refund or replacement.

### **The following conditions apply:**

1. Please ensure you retain your receipt as this must be presented when making a claim under the terms of the warranty. It is impossible to determine the warranty period without proof of purchase, so please keep this in a safe place.
2. If a refund or exchange is required the product must be complete with all accessories, parts and packaging.
3. Missing parts will render the warranty void.
4. Upon receipt of your appliance check it for any transport damage to ensure it is safe for use. Return it to the store as soon as possible for exchange if damaged. The warranty is void if products are damaged after use, so please do not use the damaged product.
5. Your product is designed for normal domestic household use. Failure to read and comply with the instructions for use, cleaning and maintenance will render your warranty void, so please read these instructions carefully to ensure your safety, and get the most effective use from the product.
6. Any abuse, negligent, improper use will render the warranty void and Creative Housewares (Pty) Ltd will not be liable for any loss or damage.
7. This Warranty will not apply if this tool is damaged by accident or from normal wear and tear.
8. Any attempted repair, or replacement of unauthorised parts will render the warranty void, so please contact an authorised service centre or agent for any service or repair requirements.
9. Accessories such as bits, blades, sanding disc, cutting lines, etc are excluded from this warranty.
10. Normal consumables parts, such as carbon brushes, bearings, chucks, cord assembly's, spark plugs, recoil pulleys and bump head assembly's are specifically excluded from this warranty.

### **Extended 24 Month Limited Warranty**

- Casals takes pride in their product quality and therefore offer an extended 24 month limited warranty from the original date of purchase to offer the consumer peace of mind on their purchase.
- Should defects due to faulty material or workmanship develop, under normal domestic use, within 24 months from the original date of purchase, please return the product to the store from where it was purchased for repair free of charge.
- Casals will however replace a product, if the cost of the repair is not commercially viable or if their ability to conduct repair effectively cannot be guaranteed.
- NB: The warranty on replaced products will be from the original date of purchase.
- All repairs carry a 3 month warranty even if this falls outside of the 2 year warranty period. Casals will attempt to conduct repairs within reasonable industry standards but cannot be held responsible or liable for any circumstances not under their control.

### **Before returning your product, check for the following:**

1. Your household mains supply socket is working and switched on.
2. The mains supply circuit is not overloaded (White trip switch on your DB board is off).
3. You have read the trouble shooting guide in your Instructions for Use.
4. All accessories and parts are present.

If service or repair becomes necessary outside the warranty period, this service is still available however all transport/postage, spares and labour costs will be paid by the consumer. All chargeable repairs will require the consumers' approval in writing once the quote is accepted. Once the go-ahead has been received Casals will undertake to conduct the repair within a reasonable time and maintain the condition of the product as received.

**For any assistance, service, queries and complaints please contact our Customer Care on 086 111 5006 or e-mail [help@creativehousewares.co.za](mailto:help@creativehousewares.co.za).**

#### **Cape Town**

20 Tekstiel Street, Parow, Cape Town,  
7493, South Africa • P.O. Box 6156 Parow  
East, 7501, South Africa Tel: +27 21 931  
8117  
Fax: +27 21 931 4058

#### **Durban**

35 Adrian Road, Windermere,  
Durban, South Africa, 4001  
Tel: +27 31 303 3465  
Fax: +27 31 303 8259

#### **Johannesburg**

9 Hamburg Road, Aeroport,  
Spartan, Johannesburg, South Africa  
Tel: +27 11 392 5652  
Fax: 086 567 9222





Be on the look-out for these Casals products at your local outlet



CSC36V



CSC36



CSC12



CID18K-2



ID500REA



ID810RE



1500/32QREAK+C



DE2000/600



PL82650



BS76810



OS150



SD200



SD75



SA400



SA650PEL



CS184L



R1200EA



AG115500



AG2302000A



SP1200



Casals Power Tools, S.L.  
AV. Barcelona, s/n 25790 Oliana Lleida Spain



Casals Power Tools,  
20 Tekstiel St, Parow. Cape Town. 7493, RSA

