

# taurus



ENGLISH / AFRIKAANS

## PROCESSADOR BÀSIC

complies with  
INTERNATIONAL  
IEC60335  
SAFETY SPECIFICATIONS

**t**  
500W

2 YEAR  
WARRANTY

Model:  
912500

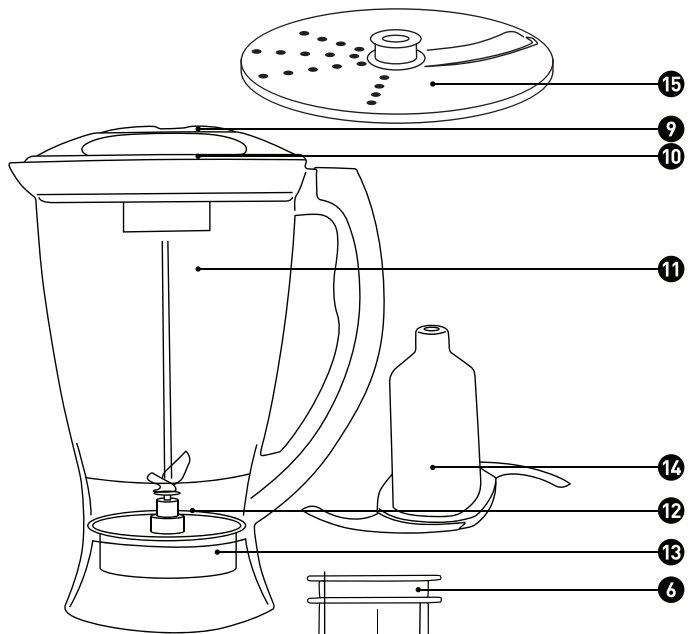
PLEASE READ ALL INSTRUCTIONS BEFORE USE



**Parts**

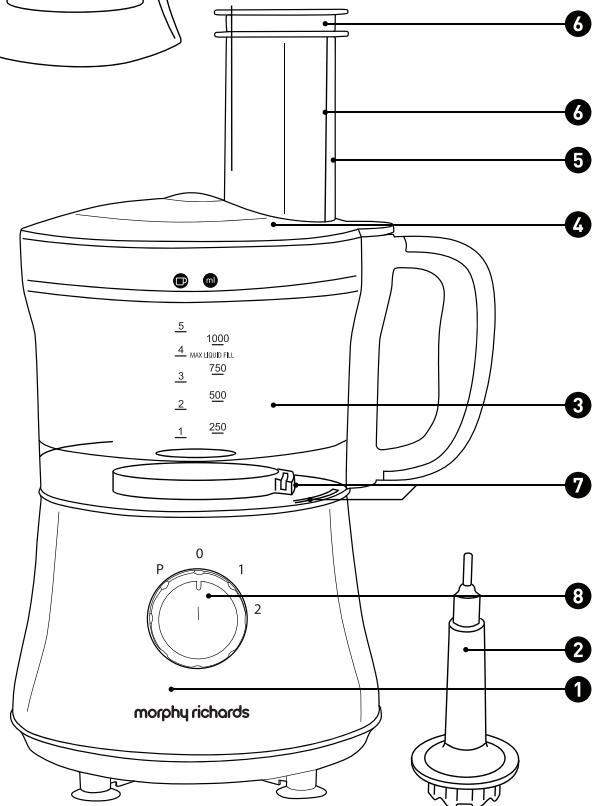
Processor

1. Power unit
2. Drive shaft
3. Bowl
4. Lid
5. Feed tube
6. Pushers
7. Safety interlock
8. Speed control
9. Blender cap
10. Lid
11. Jug
12. Sealing ring
13. Blade unit
14. Knife blade
15. Thick slicing/coarse shredding disc



**DELE**

1. Krageenheid
2. Dryfas
3. Bak
4. Deksel
5. Voerbuis
6. Stoters
7. Veiligheidsgrendel
8. Spoedbeheer
9. Mengerdeksel
10. Deksel
12. Beker
13. Stuitring
14. Lemeenheid
15. Meslem
16. Dik sny / growwe kerwingskyf



# ENGLISH MANUAL

## Dear customer,

Many thanks for choosing to purchase a TAURUS brand product.

Thanks to its technology, design and operation and the fact that it exceeds the strictest quality standards, a fully satisfactory use and long product life can be assured.

## IMPORTANT SAFEGUARDS

When using electrical appliances, basic safety precautions should always be followed including the following

1. Read All Instructions Before Using This Food processor
2. To protect against risk of electrical shock do not put cord, plug, or base in water or other liquid.
3. Close supervision is necessary when any appliance is used by or near children.
4. Unplug from outlet when not in use, before putting on or taking off parts, and before cleaning.
5. Avoid contacting moving parts.
6. Do not operate any appliance with a damaged cord or plug or after the appliance malfunctions, or is dropped or damaged in any manner..
7. Do not use outdoors.
8. Do not let cord hang over edge of table or counter or touch hot surface including stove.
9. Keep hands and utensils away from moving blades while processing food to reduce the risk of severe injury to persons or damage to the food chopper. A scraper may be used but must be used only when the food chopper is not running.
10. Blades are sharp. Handle carefully.
11. This appliance is intended for processing small quantities of food for immediate consumption. This appliance is not intended to prepare large quantities of food at one time.
12. To reduce the risk of injury, never place the cutting blade on base without first putting bowl properly in place.
13. Be certain the cover is securely locked in place before operating the appliance.
14. Do not attempt to defeat the cover interlock mechanism.

## SAVE THESE INSTRUCTIONS

### SPECIAL INSTRUCTIONS:

A short power supply cord is provided to reduce the risk of becoming entangled in or tripping over a longer cord.

- This appliance is not intended for use by persons (including children) with reduced physical, sensory or mental capabilities, or lack of experience and knowledge, unless they have been given supervision or instruction concerning use of the appliance by a person responsible for their safety
- Children should be supervised to ensure that they do not play with the appliance.

## CONSUMER SAFETY INFORMATION

This appliance is intended for household use only.

### Before first use

Remove any packaging material or promotional labels before first use. Wash the chopper cover and jar in warm, soapy

water. Dry thoroughly.

Care should be taken when cleaning the blades, blades are sharp.

## Choosing a speed

Tool/Attachment	Function	Speed	Maximum capacities
Knife Blade	Grinding	2	300g
Discs-slicing/shredding/chipping	Slicing/shredding/chopping food and vegetables such as carrots, cheese	1-2	
Jug and cross blade	blender	2	1500ml

## To use your food processor

1. Fit the drive shaft onto the power unit (1).
2. Then fit the lid on the bowl and lock into place.
3. Fit the bowl over the drive shaft. Lock into place. Always fit the bowl and attachment onto the machine before adding ingredients.
4. Switch on and select a speed. The processor won't work if the bowl and lid are fitted incorrectly. Use the pulse (p) for short bursts. The pulse will operate for as long as the control is held in position.
5. Reverse the above procedure to remove the lid, attachments and bowl.
6. Always switch off before removing the lid.

## Important

- Your processor is not suitable for crushing or grinding coffee beans, or converting granulated sugar to caster sugar.
- When adding almond essence or flavouring to mixtures avoid contact with the plastic as this may result in permanent marking.

## To use your Blender

1. Fit the sealing ring 13 into the blade unit 14 ensuring the seal is located correctly. Leaking will occur if the seal is damaged or not fitted correctly.
2. Screw the jug onto the blade unit.
3. Put your ingredients into the jug.
4. Put the blender cap in the lid, then turn.
5. Turn the lid in a anti-clockwise direction to lock onto the jug.
6. Place the blender onto the power unit and turn to lock into place.
7. Select a speed or use the pulse control.
8. Allow all liquids to cool to room temperature before placing them in the blender.

## Using the attachments

### Knife blade(15)

The knife blade is the most versatile of all the attachments.

The length of the processing time will determine the texture achieved. For coarser textures use the pulse control.

Use the knife blade for cake and pastry making, chopping raw and cooked meat, vegetables, nuts, pate, dips, pureeing soups and to also make crumbs from biscuits and bread.

#### Hints: Knife blade

Cut food such as meat, bread, vegetables into cubes approximately 2cm before processing, Biscuits should be broken into pieces and added down the feed tube whilst the machine is running. When making pastry use fat straight from the fridge cut into 2cm cubes. Take care not to over-process.

#### Reversible Slicing/shredding discs(16)

1. Use the shredding side for cheese, carrots, potatoes and foods of a similar texture.
2. Use the slicing side for cheese, carrots, potatoes, cabbage, cucumber, courgette, beetroot and onions.

#### Safety

Never remove the lid until the cutting disc has completely stopped. Handle the cutting discs with care - they are extremely sharp.

#### To use the cutting discs

1. Fit the drive shaft and bowl onto the power unit.
2. Holding by the centre grip place the disc onto the drive shaft with the appropriate side facing upwards.
3. Fit the lid.
4. Choose which size feed tube you want to use. The pusher contains a smaller feed tube for processing individual items or thin ingredients. To use the small feed tube - first put the large pusher inside the feed tube. To use the large feed tube - use both pushers together.
5. Put the food in the feed tube.
6. Switch on and push down evenly with the pusher- **never put your fingers in the feed Tube.**

#### Hints

Use fresh ingredients.

Don't cut food too small. Fill the width of the large feed tube fairly full. This prevents the food from slipping sideways during processing. Alternatively use the small feed tube.

When slicing or shredding : food placed upright comes out shorter than food placed horizontally

There will always be a small amount of waste on the plate or in the bowl after processing.

#### Care & cleaning

1. Always switch off and unplug the appliance before cleaning.
2. Handle the blades and cutting discs with care - they are extremely sharp.
3. Some foods may discolour the plastic. This is perfectly normal and won't harm the plastic or affect the flavouring of your food. Rub with a cloth dipped in vegetable oil to remove the discolouration.

#### Power unit

Wipe with a damp cloth, then dry. Ensure that the interlock area is clear of food debris.

#### Blender

1. Empty the jug/jar before unscrewing it from the blade unit.
2. Wash the jug/jar by hand.
3. Remove and wash the seals.
4. Don't touch the sharp blades, brush them clean using hot soapy water, then rinse thoroughly under the tap. Don't immerse the blade unit in water.
5. Leave to dry upside down.

#### All other parts

Wash by hand, then dry.

#### Customer care

If the cord is damaged, it must be replaced by the manufacturer, its service agent or similarly qualified persons in order to avoid a hazard.

#### Electrical Specifications

Max Voltage	Frequency	Max Wattage
220-240V AC	50/60 Hz	500W

## AFRIKAANS HANDLEIDING

#### Geagte kliënt,

Baie dankie vir u keuse om 'n Taurus handelsmerk produk te koop.

Danksy die tegnologie, ontwerp en werking en die feit dat dit voldoen aan die strengste gehalte standaarde, is u verseker van 'n volle bevredigende gebruik en lang produklewe.

#### BELANGRIKE VOORSORGMATREËLS

Wanneer elektriese toestelle gebruik word, moet basiese veiligheidsmaatreëls altyd gevolg word, insluitende die volgende:

1. Lees al die instruksies voor die gebruik van hierdie voedsel verwerker
2. Om jou te beskerm teen die risiko van 'n elektriese skok moenie die koord, prop, of basis in water of enige ander vloeistof sit nie.
3. Noulettende toesig is nodig wanneer 'n toestel gebruik word deur of naby kinders.
4. Ontkoppel die muurprop wanneer dit nie in gebruik is nie, voordat onderdele bygevoeg of weggeneem word asook vir skoonmaak.
5. Vermoë enige kontak met bewegende dele.
6. Moenie enige toestel met 'n beskadigde koord, of prop nadat die toestel gewanfunksioneer, laat val of op enige wyse beskadig is hanteer nie.
7. Moenie die toestel in die buitelug gebruik nie.
8. Moenie die koord hang oor die rand van die tafel of toonbank hang of aan 'n warm oppervlak laat raak, insluitend die stoof nie.
9. Hou hande en gereedskap weg van bewegende lemme tydens die verwerking van voedsel om die risiko van ernstige besering aan persone of skade aan die voedselver-

werker te vermy. 'n Skraper mag gebruik word, maar slegs wanneer die voedselverwerker nie loop nie.

10. Die lemme is baie skerp. Hanteer versigtig.
11. Hierdie toestel is bedoel vir die verwerking van klein hoeveelhede voedsel vir onmiddellike gebruik. Dit toestel is nie bedoel om groot hoeveelhede kos op 'n slag om voor te berei nie.
12. Om die risiko van besering te verminder, moet nooit die snylem op 'n basis plaas sonder om eers om 'n bak behoorlik daaronder in te sit nie.
13. Maak seker die deksel is veilig in plek gesluit voordat die toestel gebruik word.
14. Moenie probeer om die deksel se ineensluiting meganisme te oorwin nie.

## Bewaar hierdie instruksies

### Spesiale instruksies:

'n Kort toevoerkkoord word verskaf om die risiko van verstrengeling of struikeling oor 'n langer koord te verminder.

- Dit toestel is nie bedoel vir gebruik deur persone (kinders ingesluit) met 'n verminderde fisiese, sensoriese of geestelike vermoëns, of 'n gebrek aan ervaring en kennis, tensy hulle onder toesig of geleer is aangaande die gebruik van die toestel deur 'n persoon wat verantwoordelik is vir hul veiligheid nie.
- Kinders moet onder toesig gehou word om te verseker dat hulle nie met die toestel speel nie.

### Verbruikers veiligheid inligting

Dit toestel is slegs vir huishoudelike gebruik bedoel.

#### Voor die eerste gebruik:

Verwyder enige verpakkingsmateriaal of promosie etikette voor die eerste gebruik. Was die kapper se deksel en bak in warm, seperige water. Droog deeglik af. Sorg moet toegepas word wanneer die lemme skoongemaak word – die lemme is baie skerp.

#### Die keuse van 'n spoed

Gereedskap/toebehore	Funksie	Spoed	Maksimum kapasiteite
Meslem	Kerf	2	300g
Skyfies/kerf/ snipper	Kerf/ snipper/ kap kos en groente soos wortels, kaas	1-2	
Beker en kruis lem	blender	2	1500ml

#### Hoe om jou voedselverwerker te gebruik:

1. Pas die dryfas op die krag-eenheid en sluit dit in plek .
2. Pas dan die deksel op die bak en draai tot dit sluit. Die bak:
3. Pas die bak oor die dryfas. Sluit dit in plek. Pas altyd die bak en toebehore op die masjien voordat

bestanddele bygevoeg word.

4. Skakel aan en kies 'n spoed. Die verwerker sal nie werk as die bak en deksel verkeerd gepas is nie.
5. Gebruik die pols (p) vir kort sarsies. Die pols sal werk vir so lank as wat die beheer in posisie gehou word.
6. Gebruik die bogenoemde prosedure omgekeerd om die deksel, aanhegels en bak te verwyder. Skakel altyd af voor die verwydering van die deksel.

### BELANGRIK

- Jou verwerker is nie geskik vir die fynmaak of maal van koffiebone, of die verwerking van kristal suiker na strooisuiker nie.
- Wanneer jy amandelgeursel of geurmengsels byvoeg vermy kontak met die plastiek, want dit kan lei tot permanente verkleuring daarvan.

#### Hoe om jou menger te gebruik:

1. Pas die seëlring 13 in die leemeenheid 14 om te verseker dat die seël korrek geleë is. Lekkasie sal plaasvind indien die seël beskadig is of nie korrek ingepas is nie.
2. Skroef die beker op die leemeenheid vas.
3. Plaas jou bestanddele in die beker.
4. Plaas die menger in die deksel, draai dan.
5. Draai die deksel in 'n antiklokgewyse rigting om die beker te sluit.
6. Plaas die menger op die krag-eenheid en draai om dit in posisie te sluit.
7. Kies 'n spoed of gebruik die polsbeheer. Laat alle vloeistowwe afkoel tot kamertemperatuur voordat hulle in die menger gesit word.

#### Hoe om die bybehore te gebruik:

##### Meslem (15)

Die meslem is die mees veelsydige van al die bybehore. Die lengte van die verwerkingstyd sal die tekstuur bepaal. Vir growwer teksture gebruik die polsbeheer. Gebruik die meslem vir kap van rou en gaar vleis, groente, neute, patee, doopsous, sop en ook krummels uit beskuitjies en brood te maak.

##### Wenke: Meslem

Sny kos soos vleis, brood, groente in blokkies ongeveer 2 cm voor verwerkig. Beskuitjies moet in stukke gebreek en bygevoeg word deur die voerbuis terwyl die masjien loop. Wanneer deeg gemaak word gebruik reguit uit die yskas en sny in 2 cm-blokkies. Wees versigtig om nie te oorverwerk nie.

##### Omkeerbare Snipper / Kerwing skyfies (16)

1. Gebruik die snipperkant vir kaas, wortels, aartappels en kos met 'n soortgelyke tekstuur.
2. Gebruik die kerwingkant vir kaas, wortels, aartappels, kool, komkommers, courgette, beet en uie.

#### Veiligheid:

Moet nooit die deksel verwyder voordat die snykyf heeltemal opgehou draai het nie.

Hanteer die snykyfies versigtig - hulle is baie skerp.

### Hoe om die snyskyfies te gebruik

1. Pas die dryfas en bak op die krag-eenheid in.
2. Hou die middelgreep en plaas die skyf op die dryfas met die toepaslike kant na bo.
3. Pas die deksel daarop.
4. Kies watter grootte voerbuis jy wil gebruik. Die stoter bevat 'n kleiner voerbuis vir die verwerking van individuele items of dun bestanddele. Om die klein voerbuis te gebruik – sit eers die groot stoter binne die voerbuis. Om die groot voerbuis te gebruik - gebruik beide stoters saam.
5. Sit die kos in die voerbuis.
6. Skakel aan en stoot eweredig met die stoter- moet nooit jou vingers in die voerbuis laat kom nie.

### Wenke:

Gebruik vars bestanddele.

Moenie die kos te klein sny nie. Vul die breedte van die groot voerbuis redelik vol. Dit verhoed dat die kos sywaarts gly tydens die verwerking. Alternatiewelik gebruik die klein voerbuis.

Wanneer sny of snipper: kos wat regop geplaas word kom uit korter uit as die kos wat horisontaal geplaas word. Daar sal altyd 'n klein hoeveelheid afval op die bord of in die bak na verwerking wees.

### Versorging & skoonmaak:

1. Skakel altyd die toestel a fen ontkoppel voor skoonmaak.
2. Hanteer die lemme en snyskyfies met sorg - hulle is baie skerp.
3. Sommige voedsel kan die plastiek verkleur. Dit is heeltemal normaal en sal nie die plastiek benadeel of die geur van jou kos beïnvloed nie. Vryf met 'n lap gedoop in groente-olie om die verkleuring te verwyder.

### Krageenheid:

Vee af met 'n klam lap, maak dan droog. Maak seker dat die grendeling gebied vry is van voedsel oorskot.

### Menger:

1. Maak die beker/fles leeg voordat dit van die lemmeheid verwyder word.
2. Was die beker / fles met die hand.
3. Verwyder en was die seëls.
4. Moenie aan die skerp lemme raak nie. Borsel hulle met warm seperige water om hulle skoon te maak en spoel deeglik onder die kraan af. Moet nooit die lemmeheid onder water dompel nie.
5. Laat onderstebo droog.

### Alle ander dele

Was met die hand, droog dan af.

### Kliëntediens

As die koord beskadig is, moet dit vervang word deur die vervaardiger, sy diensagent of soortgelyke gekwalifiseerde persone om gevaar te vermy.

### Elektriese Spesifikasie

Maks Spanning	Frekwensie	Maks Watts
220-240V AC	50/60 Hz	500W

# taurus

**2 YEAR  
WARRANTY**

**1 YEAR RETAIL  
+1 YEAR EXTENDED**

taurusappliances.co.za  
Register Online

Thank you for purchasing a Taurus product. Taurus guarantees that your product has been thoroughly inspected and tested before being dispatched and is free from mechanical and electrical defects and complies with the applicable safety standards. With every Taurus product purchased you get a 2 year warranty as detailed in the terms and conditions below.

### **First Year – 1 Year Retail Warranty:**

Should defects due to faulty parts or workmanship develop, under normal domestic use, within 12 months from the original date of purchase please return the product to the store from where it was purchased for a refund or replacement.

### **Second Year – 1 Year Extended Warranty**

Taurus takes pride in their product quality and therefore offer an extended 12 month warranty over and above the 1 Year Retail Warranty. Should defects due to faulty material or workmanship develop, under normal domestic use, after the 12 month period and within 24 months from the original date of purchase, please return the product postage pre-paid to Taurus for repair. Taurus will repair the product free of charge and return it to you directly. Taurus will replace a product with a similar product in the same or better condition, if the repair cannot be conducted for whatever reason. NB: The 1 Year Extended Warranty is only valid for customers who have registered their warranty online at [www.taurusappliances.co.za](http://www.taurusappliances.co.za) within the first year after making their purchase. See overleaf for details and instructions.

### **Before returning your product, check the following:**

- Your household mains supply socket is in good condition, working and switched on.
- The mains supply circuit is not overloaded (White trip switch on your DB board is off).
- You have read the trouble shooting guide in your Instructions for Use.
- All accessories and parts are present.

### **The following conditions apply:**

1. Please ensure you retain your receipt as this must be presented when making a claim under the terms of the guarantee. It is impossible to determine the guarantee period without proof of purchase, so please keep this in a safe place. (NB. Your guarantee can be scanned onto the Taurus web site for safe storage – see reverse side for details.)
2. If a refund or exchange is required the product must be complete with all accessories, parts and packaging. Missing parts will render the guarantee void.
3. Upon receipt of your appliance, check it for any transport damage to ensure it is safe for use. Return it to the store as soon as possible for exchange if damaged. The guarantee is void if products are damaged after

use, so please do not use the damaged product.

4. Your product is designed for normal domestic household use. Failure to read and comply with the instructions for use, cleaning and maintenance will render your guarantee void, so please read these instructions carefully to ensure your safety, and to get the most effective use from the product. (e.g. not removing lime scale; water deposits; insect infestation, and/or burnt products)
5. Any abuse, negligent, improper or accidental use or care will render the guarantee void and Creative Housewares (Pty) Ltd will not be liable for any loss or damage.
6. Any attempted repair, or replacement of unauthorised parts will render the guarantee void, so please contact an authorised service centre or service agent for any service or repair requirements.
7. NB: The guarantee on replaced products will be from the original date of purchase and not from when the date replacement was made.
8. All repairs carry a 3 month guarantee even if this falls outside of the 2 year guarantee period.
9. Taurus will attempt to conduct repairs within reasonable time in line with industry standards but cannot be held responsible or liable for any circumstances not under our control.

### **Repairs Out of the Warranty Period**

If service or repair becomes necessary outside the warranty period, this service is still available however all transport/postage, spares and labour costs will be for the customers' account. All chargeable repairs will require the customers' written acceptance of the quote. Once the go-ahead has been received Taurus will undertake to conduct the repair within a reasonable time and maintain the condition of the product as received. All repairs are guaranteed for 3 months from the date of the repair.

For any service, enquiries and complaints please contact our Customer Care on 086 111 5006 or e-mail [help@creativehousewares.co.za](mailto:help@creativehousewares.co.za) from 08h00 to 15h00 Monday to Friday excluding public holidays. Please also note that the company is normally closed for 2 weeks around Christmas and New Year.

Please send all products for repair postage pre-paid to one of the service centres listed on the back of this page.



# ONLINE WARRANTY REGISTRATION

## Why register your warranty?

We at Taurus pride ourselves on bringing premium quality appliances to market, and as a commitment to this level of quality we offer a 2 year warranty (1 Year Retail + 1 Year Extended) on all of our products. We often hear that our customers lose their receipts and can therefore no longer claim if they have a problem. To take advantage of the 1 Year Extended Warranty you will need to register your warranty online within the first year of purchase in order to make a valid claim. Now you can register your product, upload your warranty online, never have to worry about losing your receipt again and enjoy the benefit of your 2 year warranty.

## Added Benefits

In addition to providing you with an online profile of your registered products we will also provide a host of value added benefits:

- Incentives and Competitions for registered users
- New recipes or ideas for your products
- New product developments – be the first to get the latest appliances
- Special offers on promotional items

## How to Register your Online Warranty?

### STEP1 Create your user profile:

If you haven't done so already, simply visit [www.taurusappliances.co.za](http://www.taurusappliances.co.za), click on the "Product Registration" link and follow the easy instructions. You will receive a username and password once registered. This will give you access to your user profile.



[taurusappliances.co.za](http://taurusappliances.co.za)

### STEP2 Pick a registration method:



#### DESKTOP/ LAPTOP

- Open your internet browser and visit [www.taurusappliances.co.za](http://www.taurusappliances.co.za)
- Click on the "Registration" link and login using your user name and password.
- Click on "Register your products and upload receipts" and follow the easy instructions.
- Scan and upload your receipt



#### SMART PHONE/ TABLET

- Scan the QR code above or visit [www.taurusappliances.co.za](http://www.taurusappliances.co.za)
- Click on the "Registration" link and login using your user name and password.
- Click on "Register your products and upload receipts" and follow the easy instructions.
- Scan or take a photo and upload your receipt.



#### FAX

- Fax the following to 021 931 4058
- First Name and Surname
- Contact telephone and fax number.
- Product Model number and Type.
- Traceability Code (found on the Warranty Card or on a label on the product)
- A clear and legible copy of your receipt.

## Notes:

1. The online warranty system is a safe storage facility for your receipt.
2. You will be required to register on the Taurus website. You will receive a username and password once registered. This will give you access to your profile.
3. From your profile you will be able to load products that you have purchased. In order to successfully register your warranty you will need to use either scan and upload, or fax through your receipt to us.
4. All instructions on how to load your products are available

inside your profile.

5. Please note that you must check that your receipt has been uploaded correctly. Creative Housewares cannot be held responsible for faxes or files not received.
6. For assistance with registration please email: [marketing@creativehousewares.co.za](mailto:marketing@creativehousewares.co.za).

**NB:** Your 1 year extended warranty is only valid if your product is registered online within the first year after purchasing your Taurus product. Failure to register your product on-line within the first year will render the extended warranty as void.

creative housewares

National Service Centre: 086 111 5006  
e-mail: [help@creativehousewares.co.za](mailto:help@creativehousewares.co.za)  
[www.creativehousewares.co.za](http://www.creativehousewares.co.za)

#### Cape Town

20 Tekstiel Street, Parow, Cape Town, 7493,  
South Africa • P.O. Box 6156 Parow East, 7501,  
South Africa Tel: +27 21 931 8117  
Fax: +27 21 931 4058

#### Durban

35 Adrian Road, Windermere,  
Durban, South Africa, 4001  
Tel: +27 31 303 3465  
Fax: +27 31 303 8259

#### Johannesburg

9 Hamburg Road, Airport, Spartan,  
Johannesburg, South Africa  
Tel: +27 11 392 5652  
Fax: 086 567 9222



# taurus



Dankie vir die aankoop van 'n Taurus produk. Taurus waarborg dat u produk deeglik geïnspekteer en getoets word voordat dit versend word en is vry van meganiese en elektriese gebreke en voldoen aan die toepaslike veiligheidsstandaarde. Met elke Taurus produk wat gekoop word kry u 'n 2 jaar waarborg soos uiteengesit in die terme en voorwaardes hieronder.

## Eerste Jaar - 1 Jaar Kleinhandelswaarborg:

Indien defekte as gevolg van foutiewe onderdele of vakmanskap binne 12 maande onder normale huishoudelike gebruik ontwikkel, binne die 12 maande vanaf die oorspronklike datum van aankoop, neem asseblief die produk na die winkel van waar dit gekoop is vir 'n terugbetaling of vervanging.

## Tweede Jaar - 1 Jaar Uitgebreide Waarborg

Taurus is trots op die kwaliteit van die produk en bied dus 'n uitgebreide 12 maande waarborg bo en behalwe die 1 Jaar Kleinhandelswaarborg. Indien defekte as gevolg van foutiewe materiaal of vakmanskap ontwikkel, onder normale huishoudelike gebruik, na die 12 maande tydperk en binne 24 maande vanaf die oorspronklike datum van aankoop, stuur die produk terug met posgeld betaal na Taurus vir herstel. Taurus sal die produk gratis herstel en dit direk aan u terugstuur. Taurus sal die produk vervang met 'n soortgelyke produk in dieselfde of beter toestand, as die herstel nie uitgevoer kan word vir watter rede ookal nie.

NB: Die 1 Jaar Uitgebreide waarborg is slegs geldig vir kliënte wat hul waarborg geregistreer het op ons webtuiste by [www.taurusappliances.co.za](http://www.taurusappliances.co.za) binne die eerste jaar nadat hulle dit aangekoop het. sien keersy vir besonderhede en instruksies.

## Voordat u die produk terug stuur, maak seker van die volgende:

- U huishoudelike geleidingsok is in 'n goeie toestand, werk en aangeskakel is,
- Die geleidingsok is nie oorlaai nie (Wit uitskop skakelaar op u DB bord af is),
- U het die moeilikheid sturingsgids gelees in u instruksies vir gebruik,
- Alle bykomstighede en dele teenwoordig is.

## Die volgende voorwaardes geld:

1. Maak seker dat u kwitansie behoue is, dit moet aangebied word wanneer 'n eis gemaak word onder die voorwaardes van die waarborg. Dit is onmoontlik om die waarborg tydperk te bepaal sonder die bewys van aankoop, so hou dit asseblief in 'n veilige plek. (NB. U waarborg kan opgeskander word na die Taurus webtuiste vir veilige bewaring - sien keersy vir meer inligting.)
2. Indien 'n terugbetaling of omruiling van die produk nodig is moet die produk volledig wees met al die bykomstighede, onderdele en verpakking. Toebehore wat weg is sal die waarborg nietig maak.
3. Met ontvangs van u toestel, gaan dit na vir enige vervoer skade om te verseker dat dit veilig is vir gebruik. Stuur dit so gou as moontlik terug na die winkel om die beska-

digde toestel te vervang. Die waarborg is nietig indien die beskadigde produk gebruik word na die tyd, so moet asseblief nie die beskadigde produk gebruik nie.

4. U produk is ontwerp vir normale huishoudelike gebruik. Deur te versuim om die instruksies te lees en te voldoen aan die terme van gebruik, die skoonmaak en instandhouding van die produk maak u waarborg ongeldig, so lees asseblief hierdie instruksies versigtig om u veiligheid te verseker, en om die beste uit die gebruik van die produk te kry. (bv nie die verwydering van kalk skaal; water neerslag; insek besmetting, en / of verbrande produkte)
5. Enige misbruik, nalatige, onbehoorlike of toevallige beskadiging of sorg van die produk word die waarborg nietig en Creative Housewares (Pty) Ltd, sal nie aanspreeklik wees vir enige verlies of skade nie.
6. Enige poging tot herstel, of vervanging met ongemagtigde onderdele sal die waarborg nietig maak, so kontak 'n gemagtigde dienssentrum of diensagent vir enige diens of herstelwerk.
7. NB: Die waarborg op die vervangingsproduk sal by die oorspronklike datum van aankoop bly en nie van die datum wanneer dit vervang is nie.
8. Alle herstelwerk dra 'n 3 maande waarborg selfs al val dit buite die 2-jaar waarborg tydperk.
9. Taurus sal probeer om die herstelwerk te doen binne 'n redelike tyd in lyn met die industrie standaard, maar kan nie verantwoordelik gehou word of aanspreeklik wees vir enige omstandighede nie onder ons beheer nie.

## Herstelwerk buite die waarborg tydperk

As diens of herstelwerk benodig word buite die waarborg tydperk, is hierdie diens steeds beskikbaar, maar is alle vervoer / posgeld, onderdele en arbeidskoste op die kliënte se onkoste. Alle betaalbare herstelwerk sal skriftelike aanvaarding van die kwotasie vereis van die kliënt. So dra Taurus die groen lig ontvang sal ons onderneem om die herstel binne 'n redelike tyd en in dieselfde toestand te hou as wat die produk ontvang is. Alle herstelwerk is gewaarborg vir 3 maande vanaf die datum van die herstel.

Vir enige diens, navrae en klagtes kontak ons kliënte diens op 086 111 5006 of e-pos [help@creativehousewares.co.za](mailto:help@creativehousewares.co.za) vanaf 08h00 tot 15h00, Maandag tot Vrydag, openbare vakansiedae uitgesluit. Let asseblief ook daarop dat die maatskappy gewoonlik gesluit is vir 2 weke gedurende Kersfees en Nuwejaar.

Stuur asseblief alle produkte vir herstel met posgeld vooruit betaal aan een van die dienssentrums wat op die agterkant van hierdie bladsy verskyn.

# AANLYN WAARBORG REGISTRASIE

## Hoekom moet u die waarborg moet registreer?

Ons by Taurus is trots om premium gehalte toestelle op die mark te bring, en as 'n verbintenis tot die vlak van gehalte bied ons 'n 2 jaar waarborg (1 Jaar Kleinhandel + 1 Jaar Uitgebreide) op al ons produkte. Ons hoor dikwels dat ons kliënte hul kwitansies verloor en kan dus nie meer eis as hulle 'n probleem het nie. Om voordeel te trek van die 1 Jaar Uitgebreide waarborg sal u nodig hê om u waarborg aanlyn te registreer binne die eerste jaar van aankoop om 'n geldige eis te maak. Nou kan u die produk aanlyn registreer, laai u waarborg en hoef u nooit te bekommer dat u die kwitansie sal verloor nie en die voordeel van u 2-jaar waarborg geniet.

## Bygevoegde Voordele

Bykomend tot die verskaffing van 'n aanlyn profiel van u geregistreerde produkte bied ons ook vele ander toegevoegde waarde voordele:

- aansporings en kompetisies vir geregistreerde gebruikers
- nuwe resepte of idees vir u produkte
- nuwe produk ontwikkelings - die eerste wees om die nuutste toestelle te kry
- spesiale aanbiedings op promosie-items

## Hoe om u Aanlyn Waarborg te Registreer?

### STAP 1 Skep u gebruikersprofiel:

As u dit nie reeds gedoen het nie, besoek [www.taurusappliances.co.za](http://www.taurusappliances.co.za), klik op die "Product Registration" skakel en volg die maklike instruksies. U sal 'n gebruikersnaam en wagwoord ontvang sodra u geregistreer het. Dit sal u toegang tot u profiel gee.



[taurusappliances.co.za](http://taurusappliances.co.za)

### STAP 2 Kies 'n registrasie metode:



#### REKENAAR/ SKOOTREK- ENAAR

- Maak u internet snuffelgids oop en besoek [www.taurusappliances.co.za](http://www.taurusappliances.co.za)
- Klik op die "Registrasie" skakel en teken in met u gebruikersnaam en wagwoord.
- Klik op "Register your products" en laai kwitansies en volg die maklike instruksies.
- Skandeer en laai u strokie



#### SMART- FOON / TABLET

- Skandeer die QR-kode bo of besoek [www.taurusappliances.co.za](http://www.taurusappliances.co.za)
- Klik op die "Registration" skakel en teken aan met u verbruikersnaam en wagwoord.
- Klik op "Register your products" en laai u kwitansie en volg die maklike instruksies.
- Skandeer of neem 'n foto en laai u strokie.



#### FAKS

- Faks die volgende na 021 931 4058
- Naam en Van
- Kontak telefoon en faksnommer.
- Produk model nommer en tipe.
- Traceability Code (wat op die Waarborgkaart of op 'n etiket op die produk gevind kan word)
- 'n Duidelike en leesbare afskrif van u ontvangs.

## Notas:

1. Die aanlyn waarborg stelsel is 'n veilige stoor fasiliteit vir u strokies.
2. U sal gevra word om op die Taurus webtuiste te registreer. U sal 'n gebruikersnaam en wagwoord ontvang. Dit sal u toegang gee tot u profiel.
3. Van u profiel u sal in staat wees om produkte te laai wat u gekoop het. Om u waarborg suksesvol te registreer sal u nodig hê om of te skandeer en oplaai, of faks u strokie deur na ons.
4. Alle instruksies oor hoe om u produkte te laai is beskikbaar binne in u profiel.
5. Let daarop dat u moet seker maak dat u kwitansie korrek op-

gelaai is. Creative Housewares kan nie verantwoordelik gehou word vir faks- of lêers nie ontvang nie.

6. Vir hulp met registrasie e-pos asseblief: [marketing@creative-housewares.co.za](mailto:marketing@creative-housewares.co.za).

**NB:** U 1 jaar verlengde waarborg is slegs geldig indien u produk aanlyn geregistreer is binne die eerste jaar na die aankoop van u Taurus produk. Indien u produk nie aanlyn geregistreer word binne die eerste jaar nie sal dit die verlengde waarborg nietig maak.

## creative housewares

Nasionale Dienssentrum: 086 111 5006  
e-pos: [help@creativehousewares.co.za](mailto:help@creativehousewares.co.za)  
[www.creativehousewares.co.za](http://www.creativehousewares.co.za)

### Kaapstad

20 Tekstielstraat, Parow, Kaapstad, 7493, Suid Afrika • PO. Box 6156 Parow Oos, 7501, Suid Afrika  
Tel: +27 21 931 8117  
Faks: +27 21 931 4058

### Durban

35 Adrianweg, Windemere, Durban, Suid Afrika, 4001  
Tel: +27 31 303 3465  
Faks: +27 31 303 8259

### Johannesburg

9 Hamburgweg, Aeroport, Spartan, Johannesburg, Suid Afrika  
Tel: +27 11 392 5652  
Faks: 086 567 9222

creative housewares



20 Tekstiel St, Parow, Cape Town, 7493, RSA



P.O. Box 6156 Parow East, 7501, RSA



+27 21 931 8117



+27 21 931 4058

Service Centre Helpline: 086 111 5006



[www.creativehousewares.co.za](http://www.creativehousewares.co.za)