

mellerware[®]
makes life easier

QUANTUM
gas
heater



New fold up
design

3 Ceramic
plates

Piezo electric
ignition

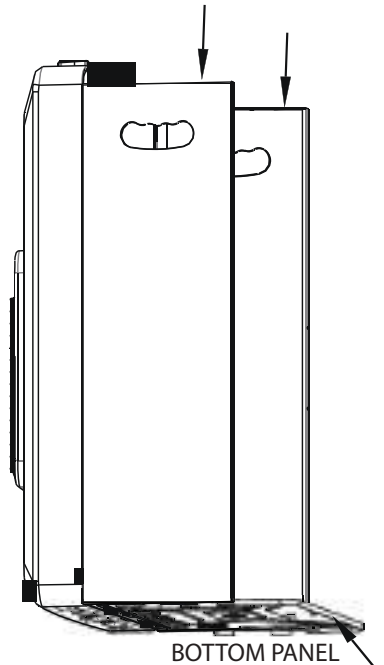
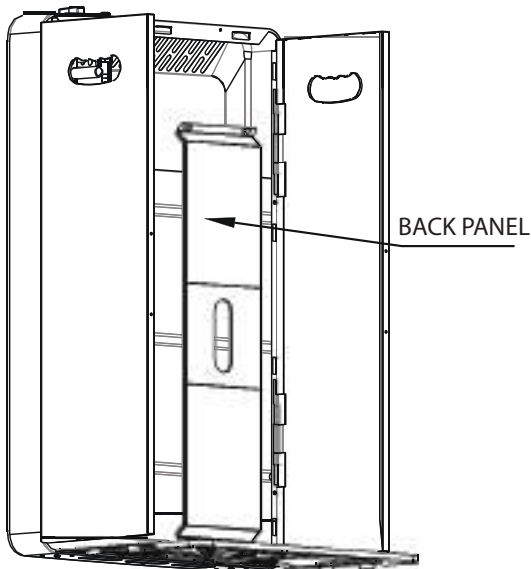
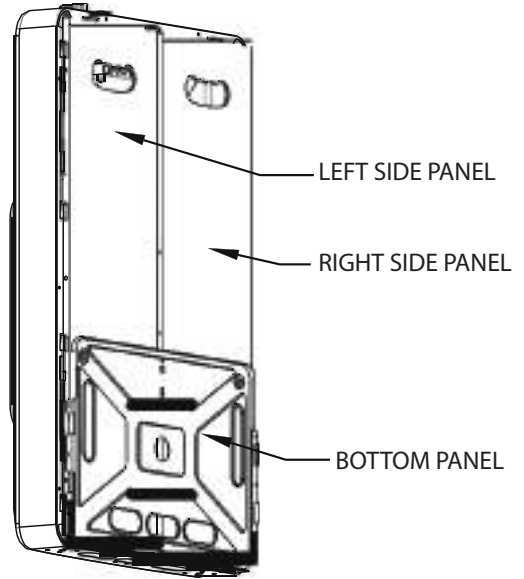
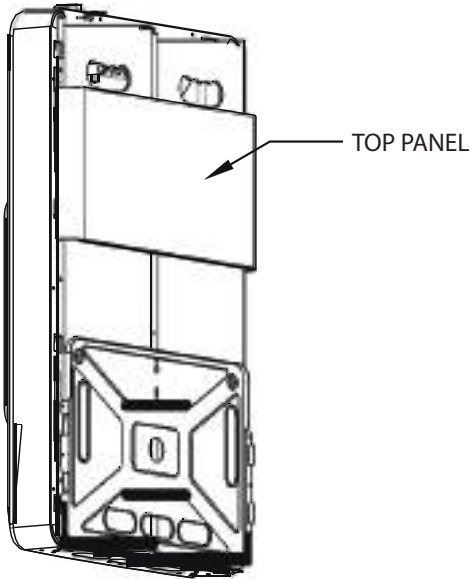


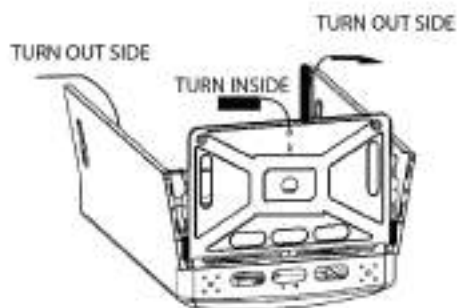
2 YEAR
WARRANTY

Model:
35420

1. For your safety, please read this manual carefully and operate the products exactly according to the instructions.

Please follow the assembly instructions step by step as provided below:

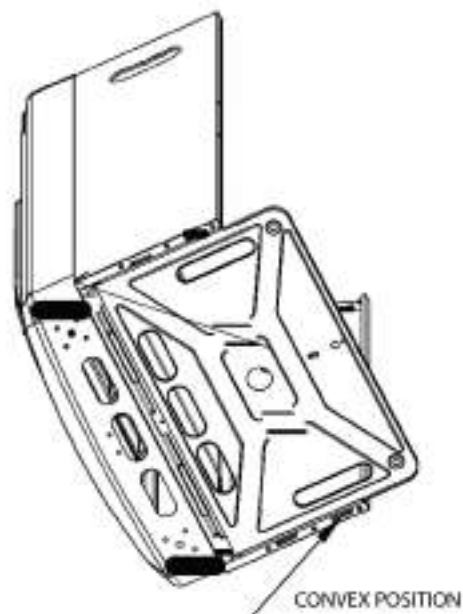




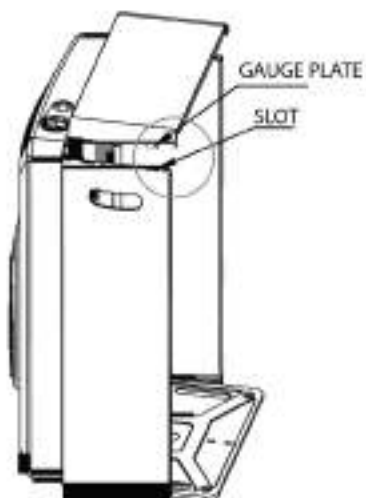
2. Turn the left side and right side panels out, at a 10 degree angle, and then flip the bottom panel in.



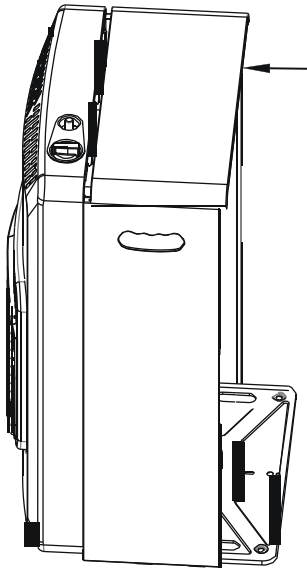
3. Slot the left and right panel into the bottom panel. Be sure to line it properly.



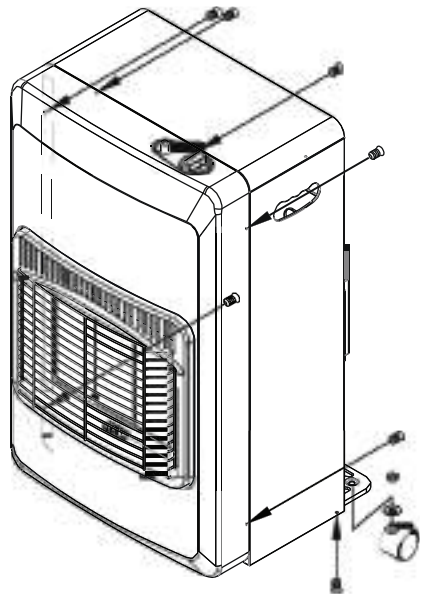
4. Match the position, fasten the left side panel, right panel and bottom panel.



5. Put the top panel on the top of the heater match the position.



6. Push the top panel into the front panel; fasten the left and right side panel and front panel with screws supplied.



7. According to arrow keys fasten with screws; install the back panel and castors. Following the arrows, insert screws and tighten, use the nuts to secure the 5 castor wheels to the bottom panel.

Safety Instructions and Warnings

1. This is a flueless heater. Ensure the room is ventilated while the heater is in operation. Do not operate in a bedroom, caravan, boat, or any confined spaces.
2. Do not place the heater near walls, curtains or furniture while in operation. Always face the heater towards the center of the room during operation.
3. The heater must not be moved while in operation.
4. Do not place objects on or against the heater.
5. The dress guard on this appliance conforms to standard requirements. It does not give full protection for young children or the infirm. The guard is to prevent risk of injury and no part of it should be removed or altered.
6. This appliance needs to be tested for leaks before initial use and whenever the cylinder has been reconnected after being filled. NEVER USE A NAKED FLAME TO TEST FOR LEAKS. See **Heater Set-up** below.
7. Always close the gas cylinder valve whenever the heater is not in use.
8. **Note:** The heater incorporates several safety devices that will shut down the heater in unsafe conditions.
 - 8.1 ODS(Oxygen depletion system) In case of accidental flame failure, the gas heater will shut down automatically.
 - 8.2 The Tip Over Switch will turn off the heater if it is not standing upright on a level surface. If this activates, set the heater upright, check for obvious damage and again wait 5-10 minutes before attempting to re-ignite the heater. This device may also operate if the heater is knocked against or bumped.

Installation

Your LPG heater is a safe and efficient form of heating when used exactly according to these instructions.

You should have purchased a suitable 9kg gas cylinder for this heater. The cylinder will require purging of air the first time it is filled, to ensure correct operation of the heater. This should be carried out by the gas filling station. Your cylinder should be checked for safe operation each time when it is filled by an authorized filling station.

Heater set-up

1. After the heater has been removed from its packaging, remove the back panel from inside the back cavity.
2. Place the filled gas cylinder into the back of the heater with the valve outlet facing outwards.
3. Screw the supplied regulator onto the outlet of the gas cylinder valve (clockwise). Turn by hand only. Do not use a spanner. Screw on until the nut is fully home.
4. **IMPORTANT** : Testing for leaks. This must be carried out in a well-ventilated area, free from any open flames or other sources of ignition. With the regulator connected to the cylinder, turn on the gas cylinder valve 1 and 1/2 turns anti-clockwise. Brush all hose connections, pipe connections to the gas valve, regulator connection to the cylinder and gas cylinder valve with a 50:50 solution of detergent and water. A stream of bubbles forming is an indication of a leak. If a leak is found, turn off the cylinder valve (clockwise), disconnect the regulator from the gas cylinder and remove the gas cylinder to a cool, outdoor well-ventilated area. Contact your dealer or gas supplier for assistance.

**DO NOT USE THE HEATER IF A LEAK IS FOUND.
DO NOT USE A NAKED FLAME FOR LEAK TESTING.**

DO NOT OPERATE ANY ELECTRICAL EQUIPMENT IN THE PRESENCE OF A GAS LEAK.

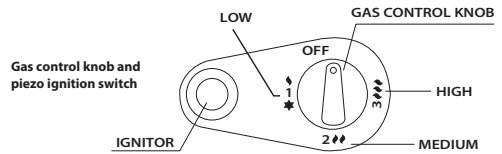
5. After leak-testing has passed, fit the rear panel onto the heater. It may be necessary to twist the cylinder slightly to allow the regulator and hose to fit inside the back panel without kinking the hose.

Ignition Instructions:

The heater can be regulated to three different heat intensities: 1- LOW, 2- MEDIUM and 3- HIGH.

Ignition mode: piezo ignition.
Suitable with 9kg gas cylinder.

1. Open the valve on the gas cylinder 1 and 1/2 turns.
2. Press down and turn the gas control knob to 1-LOW position and hold down for up to 10 seconds.
3. While still pressing down the gas control knob, depress the ignition button until the pilot light (at the bottom of the burner) ignites. Continue to hold the gas control knob down for 10-15 seconds or until the ceramic plate lights up. Upon releasing the gas control knob, if the pilot flame goes out, repeat the above operation.



4. Once the heater is lit at the 1-LOW setting, turning the control knob to 2-MEDIUM or 3-HIGH position will light the second and third panel respectively.
5. To turn off the heater, return the gas control knob to the OFF position and close the gas cylinder valve fully (clockwise).

Changing the cylinder:

Turn off the cylinder valve fully (clockwise) and allow the heater to cool fully before removing and replacing the cylinder. Do not attempt to remove the gas cylinder while the heater is still running

Maintenance:

- Before maintenance and cleaning the gas heater supply (gas cylinder) must be turned off completely, and wait for the heater to be completely cold. Don't attempt to clean the heater while it is warm in use.
- It is recommended that your heater should be checked annually by a qualified approved technician for safe operation and to detect any faults.
- If any faults are detected in use, stop using the heater and contact your dealer.
- Periodically clean the exterior and storage area of your heater to remove dust and lint build-up on the surfaces of the ceramic elements. Do not knock these ceramic elements as they may become very fragile in use. Do not use abrasive products to
-

clean the heater.

- Periodically watch the pilot light while it is in operation. It should burn steadily. If the pilot light flickers or burns yellow then have the heater checked out by a qualified technician.
- If any parts needs replacement, they must be replaced only with correct parts supplied by the original manufacturer. The use of incorrect or generic parts may be dangerous and will void any warranty.

We recommend that you fold it back into it's original box and packed away into safe storage to avoid accumulation of dirt that may occur.

Product Specifications:

Brand name	Mellerware	
Model number	35420	
Gas type	LPG only	
Cylinder size	9kg cylinder only	
Ignition	Piezo ignition	
Gas orifice	0.59mm	
Regulator (kpa)	Outlet	2.8 [±] 0.5
	Inlet	80~700
Operating pressure	2.8kPa	
Max gas consumption	0.375kg/h	
Heat capacity	Max	4.2 kW
	Med	2.8kW
	Min	1.4kW
Weight(kg)	10kg	
Boxed Size(lxbxh)	420x150x695mm	
<small>For indoor use only Regulator and hose supplied. Replace only with a SANS 1237 approved regulator and hose and SANS1156 or 853212 approved hose.</small>		

FOR YOUR SAFETY

“Important: Read these instructions for use carefully so as to familiarize yourself with the appliance before connecting it to its gas container. Keep these instructions for future reference”.

This appliance is adjusted to operate on LPG only.

IF YOU SMELL GAS:

- Turn off gas supply at bottle
- Extinguish all naked flames;
- Do not operate any electrical appliances
- Ventilate the area
- Check for leaks as detailed in this manual

If odour persists, contact your dealer or gas supplier immediately

Do not tamper or modify the appliance.

BURN-BACK (FIRE IN BURNER TUBE OR CHAMBER)

In the event of a burn-back, where the flame burns back to the jet, immediately turn the gas supply off at the control valve on the panel. After ensuring the flame is extinguished, wait for 1 minute and relight the appliance in the normal manner. Should the appliance again burn back, close the control valve and call a service technician. Do not use the appliance again until the service technician has declared that it is safe to do so.

GAS-PRESSURE REGULATOR

This appliance requires an operating pressure of 2,8 kPa at the appliance. A suitable LPG regulator that complies with the requirements of SANS 1237 must be installed.

IMPORTANT INFORMATION FOR THE USER

This appliance may only be installed by a registered SAQCC Gas installer. All registered installers are issued with a card carrying their registration number. Ask to be shown the card before allowing the installation work to commence and make a note of the Installer registration number. Upon completion of the installation, the installer is required to explain the operational details of the appliance together with the safety instructions. You will be asked to sign acceptance of the installation and be provided with a completion certificate. You should only sign for acceptance of the installation when the installation is completed to your satisfaction. Note that your invoice is required in the event that you wish make a guarantee claim.

IMPORTANT INFORMATION FOR THE INSTALLER.

This appliance may only be installed by a gas installer registered with the South African qualification and certification committee (SAQCC). The appliance must be installed in accordance with the requirements of SANS 10087-1 for use with LPG, SANS 827 for use with NG and any fire department regulations and/or local bylaws applicable to the area. If in doubt, check with the relevant authority before undertaking the installation. Upon completion of the installation you are required to fully explain and demonstrate to the user the operational details and safety practices applicable to the appliance and the installation.

Warning labels on heater:

Fig. 1:



Keep room well ventilated. Switch off gas supply when heater is not in use. Do not cover the heater. (Fig.1)

Fig. 2:

<p>CHECK LIST(before connecting cylinder and igniting heater)</p> <p>CHECK, that the hose clamps are in the right place and properly tightened</p> <p>CHECK that the nose washer in the regulator is in place</p> <p>CHECK that when fitting the cylinder into the rear cabinet of the heater, you make sure that you rotate the cylinder until the regulator faces towards the OUT SIDE/BACK of the cabinet, thus keeping the hose away from the heat zone near the front panels</p> <p>CHECK for leaks as per the guidelines in this manual before lighting</p> <p>A slight gas smell may be detected-this is normal please refer to Manual</p> <p>NB. NEVER leave the heater unattended or burning through the night while you sleep</p> <p>NB. THE HEATER MUST BE TURNED OFF USING THE CONTROL KNOB ON THE HEATER FIRST AND ONLY THEN CLOSING THE CYLINDER VALVE.</p>	<p>IGNITION</p> <p>Depress the control knob for between 6 to 10 seconds-this to allow the gas to reach the pilot flame-BEFORE striking the ignition button</p> <p>➤ Keep the control knob down for at least another 6-20 seconds to enable the Thermocouple to heat up and to allow the valve to open</p> <p>➤ When changing the heater settings, depress the control switch down slightly BEFORE turning to the next setting. Follow this procedure with each up or down setting</p> <p>➤ It is NORMAL for a blue 'rolling' flame to appear for a short while the flame will settle within 15-20 seconds</p> <p>➤ ONLY A 9kg cylinder must be used</p>	<p>SHUTOFF</p> <p>➤ To turn off the heater, return the gas control knob to the OFF position and close the gas cylinder valve fully (clockwise).</p>
---	--	---

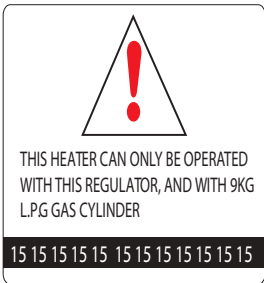
Checklist and ignition instructions. (fig.2)

Fig. 3:



Important safety warning. (fig.3)

Fig. 4:



Caution! 9kg LPG gas cylinder only. (fig.4)

Fig. 5:

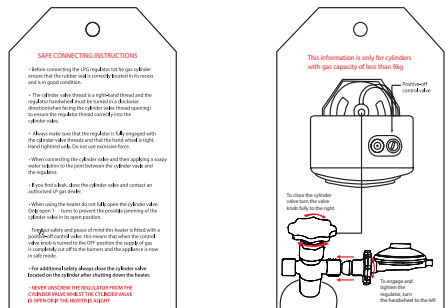
Roll about Heater - Safety Tips

Make sure you read the instruction booklet supplied with this heater before attempting to fit the cylinder or light the heater

1. Never move the heater whilst it is lit.
2. When in use keep it away from flammable materials e.g. curtains. Do not use it as a clothes dryer.
3. Keep it away from draughts.
4. Keep young children and animals away from the heater.
5. When lit, do not leave the heater unattended.
6. When in use, place the heater so that people do not knock or brush against the heater whilst moving about the room.
7. When changing cylinders it is best to do this outside. Always make sure that the cylinder valve has been closed before removing the regulator.
8. When changing cylinders always check that the rubber seal is in place on the regulator and that it is in good condition before connecting the new cylinder. Replace the seal if in any doubt.
9. After changing cylinders always carry out a leak test as described in the instruction booklet.
10. Ensure that the cylinder is positioned such that the regulator faces the back of the cabinet so that the hose is kept clear of the heat zone near the front panels. Check that the hose is not kinked.
11. It is strongly advised that a dry powder fire extinguisher is kept in the house in order to safely deal with any uncontrolled fires. These are available from hardware stores, builders merchants, security shops etc.

Safety tips. (fig.5).

Fig. 6:





Safety connecting instructions. (fig.6)



Troubleshoot Guide:

Symptoms	Cause	Corrections
Heater fails to ignite	<ul style="list-style-type: none">• Gas cylinder depleted.• Gas regulator not properly secured.• Gas cylinder valve not open properly.	<ul style="list-style-type: none">➤ Ensure that gas cylinder is at a sufficient level.➤ Ensure that the gas cylinder valve is open to the desired position.
Heater fails to stay ignited	<ul style="list-style-type: none">• The heater is not placed on a level surface.• The oxygen level in the area the heater is being used is not sufficient.• The gas level in the gas cylinder is depleted.	<ul style="list-style-type: none">➤ Ensure that the heater is placed on a level surface as it is fitted with a tip over switch that will eliminate the gas supply to the heater.➤ Ensure that the heater is placed in a well ventilated area as it requires sufficient oxygen to stay ignited.➤ Investigate the condition of the gas cylinder to ensure that it has sufficient gas left.
Heater fails to ignite after gas cylinder change	<ul style="list-style-type: none">• Pipe and clamps are not fastened correctly.• Not sufficient gas at burners for pilot light to ignite.• Gas cylinder is not levelled correctly, kinks are present in the supply pipe.	<ul style="list-style-type: none">➤ Ensure that all clamps from the gas regulator and gas cylinder is properly fastened.➤ Allow enough time by holding down the control knob for the gas (Max: 15sec Note: always ignite the heater by standing at the back of it and not to the front of it.)➤ Ensure that the gas cylinder is placed properly at the back of the heater and that there are no kinks present on the supply pipe.

creative housewares

 20 Tekstiel St, Parow, Cape Town, 7493, RSA

 P.O. Box 6156 Parow East, 7501, RSA

 +27 21 931 8117  +27 21 931 4058

Service Centre Helpline: 086 111 5006

 www.creativehousewares.co.za